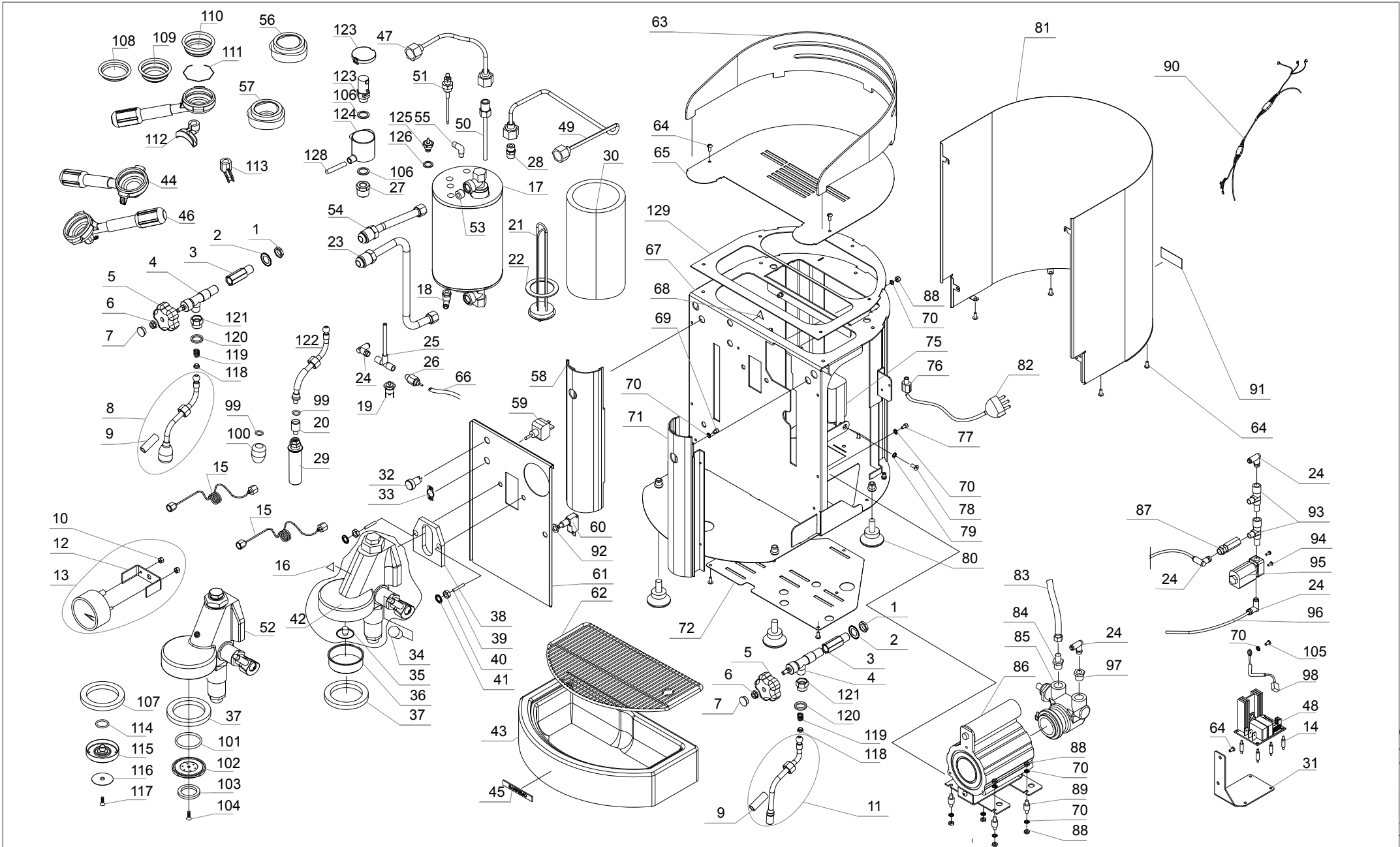


TREVISO LX





POS.	COD.	DESCRIZIONE	DESCRIPTION	BESCHREIBUNG	DESCRIPTION	DESCRIPCIÓN
1	10853081	DADO DA 1/4" ESAG.	HEXAGON NUT 1/4"	MUTTER 1/4" SECHS.	ECROU DE 1/4" HEXAG.	TUERCA DE 1/4" HEXAG.
2	10040048	RONDELLA D14,5X24X1 DENT. ZN	SERRATED WASHER D14.5X24X1 ZN	UNTERLEGSCHLEIBE D14,5X24X1 GEZAH. VERZINKT	RONDELLE D14,5X24X1 DENT. ZN	ARANDELA D14,5X24X1 DENT. GALV.
3	14852086A	PROLUNGA RUBINETTO L69,5	TAP EXTENSION L69.5	VERLÄNGERUNG HAHN L69,5	RALLONGE ROBINET L69,5	EXTENSIÓN GRIFO L69,5
4	10402113B	RUBINETTO VAPORE OT57	COMPLETE OT57 STEAM TAP	DAMPFHahn OT57	ROBINET VAPEUR OT57	GRIFO VAPOR OT57
5	10402085	MANOPOLA RUBINETTO	TAP KNOB	DREHKNOFF HAHN	POIGNEE ROBINET	LLAVE DEL GRIFO
6	10809012	DADO 6MA FLANGIATO	FLANGED NUT 6MA	MUTTER 6MA GEFLANSCHT	ECROU 6MA BRIDE	TUERCA 6MA DE BRIDAS
7	10402098	TAPPO SERIGRAFATO MANOPOLA RUBINETTO	WATER TAP KNOB CAP PRINTED	VERSCHLUSS DREHKNOFF (WASSER)HAHN SIEBGEDR.	BOUCHON SÉRIGRAPHIÉ BOUTON ROBINET	TAPÓN SERIGR. MANDO GRIFO
8	10402346A	LANCIA ACQUA CON SNODO COMPLETA	COMPLETE WATER NOZZLE WITH BALL JOINT	WASSERROHR KOMPLETT MIT GELENK	BUSE À EAU ARTIC. COMPLÈTE	LANZA AGUA CON ARTICULACIÓN COMPLETA
9	10753050	GOMMINO ANTISCOTTURA	ANTI-SCALD RUBBER PROTECTION	VERBRENNUNGSSCHUTZGUMMI	CAOUTCHOUC ANTI-BRULURE	GOMA ANTIQUEMADURAS
10	10805531	DADO 5MA ZN	NUT 5MA ZN	MUTTER 5MA VERZINKT	ECROU 5MA ZN	TUERCA 5MA GALV.
11	10402348A	LANCIA VAPORE CON SNODO COMPLETA	COMPLETE STEAM NOZZLE WITH BALL JOINT	DAMPFRÖHR KOMPLETT MIT GELENK	BUSE VAPEUR ARTIC. COMPLÈTE	LANZA VAPOR CON ARTICULACIÓN COMPLETA
12	10012138	STAFFA FISS.MANOMETRO	PRESSURE GAUGE FIXING BRACKET	BEFESTIGUNGSBÜGEL MANOMETER	SUPPORT FIX. MANOMETRE	ABRAZADERA FIJAC. MANOMETRO
13	10552015	MANOMETRO DOPPIA SCALA D.60	DOUBLE-SCALE PRESSURE GAUGE D.60	MANOMETER DOPPELSKALA D. 60	MANOMETRE DOUBLE ECHELLE D.60	MANOMETRO DE DOBLE ESCALA D.60
14	10355038	DISTANZIALE CIRCUITO FORI 3,5 L11,2	CIRCUIT SPACER HOLES 3.5 L11.2	ABSTANDHALTER KREISLAUF ÖFFNUNGEN 3,5 L11,2	ENTRETOISE CIRCUIT TOURS 3,5 L11,2	SEPARADOR CIRCUITO AGUJEROS 3,5 L11,2
15	10002018	TUBO MANOMETRO POMPA	PUMP PRESSURE GAUGE TUBE	ROHR MANOMETER PUMPE	TUBE MANOMETRE POMPE	TUBO DEL MANOMETRO DE LA BOMBA
16	10955013A	ETICHETTA TRIAN.SUPERFICIE CALDA	HOT SURFACE SYMBOL TRI. LABEL	DREICK. AUFKLEBER HEISSE OBERFLÄCHE	ÉTIQUETTE TRIAN. SURFACE CHAUDE	ETIQUETA TRIAN. SUPERFICIE CALIENTE
17	10002634A	CALDAIA D.120 LT.1,8 RACC. SALDATI	BOILER D.120 LT.1.8 WELDED CONNECTORS	KESSEL D.120 LT. 1,8 ANSCHL. VERSCHWEISST	CHAUDIÈRE D.120 LT.1,8 RACC. SOUDÉS	CALDERA D.120 LT. 1,8 RAC. SOLDADOS
18	10853224A	RACCORDO RAP. A L 4X1/4"M GIREVOLE	QUICK-FIT SWIVEL ELBOW 4 X 1/4" M	L-SCHNELLANSCHLUSS 4X1/4"M DREHBAR	RACCORD RAPIDE EN L 4X1/4"M TOURNANT	UNION RAPIDA EN L 4X1/4"M GIRATORIA
19	10115030	TERMOSTATO 125° CON RIARMO MAN.	THERMOSTAT 125° WITH MAN. RESET	THERMOSTAT 125° MIT MAN. RESET	THERMOSTAT 125° À RÉARMEMENT MANUEL	TERMOSTATO 125° DE REARME MAN.
20	10852129	RACC. CAPPUCINATORE LANCIA TV-TVLX	UNION CAPPUC. MAKER LANCE TV-TVLX	ANSCHL. MILCHAUFSCÄUMERROHR TV-TVLX	RACC. BUSE À CAPPUCINO BUSE TV-TVLX	RAC. EMULSIONADOR LANZA TV-TVLX



POS.	COD.	DESCRIZIONE	DESCRIPTION	BESCHREIBUNG	DESCRIPTION	DESCRIPCIÓN
21A	10452024A	RESISTENZA 1500W 230V	1500W 230V HEATER	HEIZELEMENT 1500W 230V	RÉSISTANCE 1500W 230V	RESISTENCIA 1500W 230V
21B	10452026A	RESISTENZA 1500W 120V	1500W 120V HEATER	HEIZELEMENT 1500W 120V	RÉSISTANCE 1500W 120V	RESISTENCIA 1500W 120V
22	10502018	RONDELLA D.52X41X2mm PTFE	WASHER D.52X41X2mm PTFE	UNTERLEGSCHLEIBE D.52X41X2 mm PTFE	RONDELLE D.52X41X2mm PTFE	ARANDELA D.52X41X2mm PTFE
23	10002356	TUBO SCAMBIATORE INFERIORE	LOWER EXCHANGER PIPE	SCHLAUCH TAUSCHER UNTEN	TUBE ECHANGEUR INFERIEUR	TUBO CAMBIADOR INFERIOR
24	10853210	RACCORDO RAP. A L 4X1/8" VITON M GIREVOLE	RAP. COUPLING A L 4X1/8" VITON M ROTATING	L-VERBINDUNGSSTÜCK 4X1/8" VITON M DREHBAR	RACCORD RAP. EN L 4X1/8" VITON M TOURNANT	RACOR RÁP. EN L 4X1/8" VITON M GIRATORIO
25	10042019	INIETTORE D.6	INJECTOR D.6	INJEKTOR D. 6	INJECTEUR D.6	INYECTOR D.6
26	10655557A	VALVOLA DI ESPANSIONE OT57	OT57 EXPANSION VALVE	EXPANSIONSVENTIL OT57	DÉTENDEUR OT57	VÁLVULA DE EXPANSIÓN OT57
27	10857920B	RACCORDO PROLUNGA 3/8"M- 3/8"F	3/8"M-3/8"F EXTENSION FITTING	VERLÄNGERUNGSVERSCHRAUBUNG 3/8"M-3/8"F	RACCORD RALLONGE 3/8"M-3/8"F	RACOR EXTENSIÓN 3/8"M-3/8"H
28	10855032B	RACCORDO DRITTO 8-1/4"M	STRAIGHT COUPLER 8-1/4"M	GERADER ANSCHLUSS 8-1/4" AG	RACCORD DROIT 8-1/4"M	UNION RECTA 8-1/4"M
29	10402302	CAPPUCINATORE COMPLETO GOCCIA	CAPPUCCINO MAKER COMPLETE GOCCIA	MILCHAUFSCÄUMER KOMPLETT GOCCIA	BUSE À CAPPUCCINO COMPLETE GOUTTE	EMULSIONADOR COMPLETO GOCCIA
30	10025510	PANNELLO MELAMINICO TV LX	MELAMINE PANEL TV LX	MELAMINBLLENDE TV LX	PANNEEAU MELAMINIQUE TV LX	PANEL MELAMÍNICO TV LX
31	10012148	STAFFA FISS. CENTRALINA TERMOSTECO	TERMOSTECO CONTROL UNIT BRACKET	BEFESTIGUNGSBÜGEL STEUE- REINHEIT TERMOSTECO	BRIDE FIX CENTRALE TERMO- STECO	SOPORTE FIJO CENTRALITA TER- MOSTECO
32A	10553030	SEGNALATORE LUMINOSO VERDE 120V	GREEN INDICATOR LIGHT 120V	LEUCHTANZEIGE GRÜN 120V	TEMOIN LUMINEUX VERT 120V	INDICADOR LUMINOSO VERDE 120V
32B	10553034	SEGNALATORE LUMINOSO VERDE 230V	GREEN INDICATOR LIGHT 230V	LEUCHTANZEIGE GRÜN 230V	TEMOIN LUMINEUX VERT 230V	INDICADOR LUMINOSO VERDE 230V
33	10553064	TARGHETTA ON-OFF	ON-OFF PLATE	SCHILD ON-OFF	PLAQUE ON-OFF	PLACA ON-OFF
34	10052165	IMPUGNATURA LEVA GRUPPO	FILTER HEAD LEVER GRIP	HEBELGRIFF GRUPPE	POIGNEE LEVIER GROUPE	EMPUÑADURA DE LA PALANCA DEL GRUPO
35	10052141A	DIFFUSORE GRUPPO	DIFFUSER ASSY.	VERTEILER GRUPPE	DIFFUSEUR GROUPE	DIFUSOR GRUPO
36	10052120	DOCCIA A RETE	FILTER HEAD MESH SHOWERHEAD	NETZDUSCHE	DOUCHE A GRILLE	DUCHA-RED
37	10502110	GUARNIZIONE SOTTOCOPPA H 8,2mm	UNDER-CUP GASKET H 8.2mm	UNTERKAPPENDICHTUNG H 8,2 mm	GARNITURE DESSOUS DE COUPE H 8,2mm	JUNTA DEL CARTER DEL ACEITE ALT. 8,2mm
38	10502130	GUARNIZIONE BLOCC.GRUP- PO LEVA	LEVER ASSEMBLY SEAL	DICHTUNG FESTST. GRUPPE HEBEL	GARNITURE BLOCAGE GROUPE LEVIER	JUNTA BLOQ. GRUPO PALANCA
39	10052134	PRIGIONIERI GRUPPO	ASSEMBLY STUD BOLTS	STIFTSCHRAUBEN GRUPPE	GOJONS GROUPE	PERNOS PRISIONEROS DEL GRUPO
40	10802500	DADO 8MA MEDIO ZN	MEDIUM-HT. NUT 8MA ZN	MUTTER 8MA MITTEL VERZINKT	ECROU 8MA MOYEN ZN	TUERCA 8MA MEDIANA GALV.



POS.	COD.	DESCRIZIONE	DESCRIPTION	BESCHREIBUNG	DESCRIPTION	DESCRIPCIÓN
41	10803521	RONDELLA D.8,2 DENT. ZN	SERRATED WASHER D 8.2 ZN	UNTERLEGSSCHEIBE D.8,2 GEZAHNT ZN	RONDELLE D 8,2 DENT. ZN	ARANDELA D.8,2 DENT. ZN
42	10052005B	GRUPPO A LEVA COMPLETO	COMPLETE LEVER ASSY.	HEBELGRUPPE KOMPLETT	GROUPE LEVIER COMPLET	GRUPO DE PALANCA COMPLETO
43	10024098	VASCHETTA SCARICO	DRIP TRAY	ABLAUFSCHALE	BAC D'ÉGOUTTAGE	CUBA DE VACIADO
44	14402118B	ASSIEME PORTAFILTRO 2 TAZZE INCLINATO	2-CUP INCLINED FILTER HOLDER ASSY.	BAUGRUPPE SIEBTRÄGER 2 TASSEN SCHRÄG	ENSEMBLE PORTE-FILTRE 2 TASSES INCLINÉ	CONJUNTO PORTAFILTRO 2 TAZAS INCLINADO
45	10955018	ETICHETTA LOGO SAN REMO	SAN REMO LOGO LABEL	AUFKLEBER LOGO SAN REMO	ÉTIQUETTE LOGO SAN REMO	ETIQUETA LOGOTIPO SAN REMO
46	14402116C	ASSIEME PORTAFILTRO 1 TAZZA INCLINATO	1-CUP INCLINED FILTER HOLDER ASSY.	BAUGRUPPE SIEBTRÄGER 1 TASSE SCHRÄG	ENSEMBLE PORTE-FILTRE 1 TASSES INCLINÉ	CONJUNTO PORTAFILTRO 1 TAZA INCLINADO
47	10002360	TUBO PRELIEVO ACQUA CALDA	HOT WATER INTAKE HOSE	HEISSWASSERAUSGABEROHR	TUBE EAU CHAUDE	TUBO DEMANDA AGUA CALIENTE
48	10112024	CENTRALINA TERMOSTECO PID. 90-250V	PID THERMOSTAT CONTROL UNIT 90-250V	STEUEREINHEIT TERMOSTECO PID. 90-250V	CENTRALE TERMOSTECO PID 90-250V	CENTRALITA TERMOSTECO PID. 90-250V
49	10002358	TUBO USCITA VAPORE	STEAM OUTLET HOSE	DAMPFAUSGABEROHR	TUBE SORTIE VAPEUR	TUBO SALIDA VAPOR
50	10853069	PESCANTE	FLOAT	SAUGROHR	PLONGEUR	TUBO DE INMERSIÓN
51	10112059A	SONDA LIVELLO 100mm	LEVEL SENSOR 100mm	NIVEAUSENSOR 100mm	SONDE NIVEAU 100mm	SONDA NIVEL 100mm
52	10052006	GRUPPO A LEVA MODIF. A CAPSULA	MOD. LEVER ASSY. FOR CAPSULE	HEBELGRUPPE GEÄNDERT FÜR KAPSELN	GROUPE À LEVIER MODIF. À CAPSULE	GRUPO DE PALANCA MODIF. CON CÁPSULA
53	10052153A	GIGLEUR FORO D.3mm OT57	OT57 GIGLEUR D 3mm HOLE	GIGLEUR ÖFFNUNG D.3mm OT57	GICLEUR TROU . 3mm OT57	BOQUILLA ORIFICIO D.3mm OT57
54	10002354	TUBO SCAMBIATORE SUPERIORE	TOP EXCHANGER HOSE	OBERES WÄRMETAUSCHERROHR	TUBE ÉCHANGEUR SUPÉRIEUR	TUBO INTERCAMBIADOR SUPERIOR
55	10852250A	RACCORDO A L 1020 6-1/4" M	1020 6-1/4" M L FITTING	WINKELVERSCHRAUBUNG 1020-6/1/4" M	RACCORD EN L 1020 6-1/4" M	RACOR EN L 1020 6-1/4" M
56	10402322A	ADATTATORE PORTAF. CAPSULA 2 EROG.	FILTER HOLDER ADAPTER FOR 2-CUP CAPSULE	PASSSTÜCK SIEBTR. KAPSEL 2 AUSG.	ADAPTATEUR PORTEF. CAPSULE 2 SORTIES	ADAPTADOR PORTAF. CÁPSULA 2 SURT.
57	10402321B	ADATTATORE PORTAF. CAPSULA 1 EROG.	FILTER HOLDER ADAPTER FOR 1-CUP CAPSULE	PASSSTÜCK SIEBTR. KAPSEL 1 AUSG.	ADAPTATEUR PORTEF. CAPSULE 1 SORTIE	ADAPTADOR PORTAF. CÁPSULA 1 SURT.
58A	10022356A	ESTRUSO SINISTRO ANOD. BRILLANTE	POLISHED ANOD. AL. LEFT EXTRUDED PIECE	FLIESSPRESSTEIL LINKS ELOX. GLÄNZEND	EXTRUDE GAUCHE ANOD. BRILLANT	PIEZA EXTRUIDA IZQUIERDA ANOD. BRILLANTE
58B	10022366	ESTRUSO SINISTRO ANOD. NERO	BLACK ANOD. AL. LEFT EXTRUDED PIECE	FLIESSPRESSTEIL LINKS ELOX. SCHWARZ	EXTRUDE GAUCHE ANOD.NOIR	PIEZA EXTRUIDA IZQUIERDA ANOD. COLOR NEGRO
59	10553060	INTERRUTTORE BIPOLARE A LEVA	TWO-POLE LEVER SWITCH	ZWEIPOLIGER HEBELSCHALTER	INTERRUPTEUR BIPOLAIRE A LEVIER	INTERRUPTOR BIPOLAR DE PALANCA



POS.	COD.	DESCRIZIONE	DESCRIPTION	BESCHREIBUNG	DESCRIPTION	DESCRIPCIÓN
60	10112052	MICROINTERRUPTORE C/ DADO COMANDO LEVA	CONTROL LEVER MICROSWITCH W/NUT	MIKROSCHALTER MIT MUTTER HE- BELSTEUERUNG	MICRO-INTERRUPTEUR AVEC ECROU COMMANDE LEVIER	MICROINTERRUPTOR C/TUERCA PARA ACCIONAMIENTO PALANCA
61	10024172	PROTEZIONE FRONTALE	PROTECTIVE FRONT PLATE	FRONTSCHUTZ	PROTECTION AVANT	PROTECCION FRONTAL
62	10024180A	GRIGLIA DI SCARICO INOX	STAINLESS STEEL DRAIN PLATE	ABFLUSSGITTER INOX	GRILLE D'ECOULEMENT INOX	REJILLA DE DESCARGA DE ACE- RO INOX.
63	10352045	FERMATAZZE FUME'	SMOKE-GREY CUP GUARD	TASSENHALTER RAUCHGRAU	ARRET TASSES FUME'	SUJETATAZAS GRIS "FUME"
64	10805027	VITE TBL- M4x10 A2	SCREW TRUSS HEAD- M4x10 A2	SCHRAUBE TBL- M4x10 A2	VIS TBL- M4x10 A2	TORNILLO TBL (DE CABEZA CUR- VA ANCHA) - M4x10 A2
65	10024166	COPERCHIO SUPERIORE	TOP COVER	OBERER DECKEL	COUVERCLE SUPERIEUR	TAPA SUPERIOR
66	10905010	TUBO SILICONE NEUTRO D.7X4mm	NEUTRAL SILICONE TUBE D.7X4mm	SILIKONSCHLAUCH NEUTRAL D.7X4 mm	TUBE SILICONE NEUTRE D.7X4mm	TUBO DE SILICONA NEUTRO D.7X4mm
67	10024074D	TELAIO CATAFORIZZATO NERO	BLACK CAT. TREATED FRAME	RAHMEN TAUCHLACKIERT SCHWARZ	CHÂSSIS CATAPHOREESE NOIR	BASTIDOR CON CATAFORESIS NEGRO
68	10955025A	ETICHETTA TRIANG. SIMBOLO TERRA	EARTH SYMBOL TRIANG. LABEL	DREIECK. SCHILD SYMBOL ERDE	ETIQUETTE TRIANG. SYMBOLE TERRE	ETIQUETA TRIANG. SIMBOLO TIERRA
69	10805060	VITE TCEI M4X6 UNI 5931	SCREW (HEX CH. SOCK.) M4X6 UNI 5931	INBUSSCHRAUBE M4X6 UNI 5931	VIS TCEI M4X6 UNI 5931	TORNILLO TCEI (CABEZA CIL. CON HEXAG. HEMBRA) M4X6 UNI 5931
70	10803519	RONDELLA D4,2 DENT.ZN DIN 6978	SERRATED WASHER D4.2 ZN DIN 6978	UNTERLEGSSCHEIBE D4,2 GEZAH. VERZINKT DIN 6978	RONDELLE D4,2 DENT.ZN DIN 6978	ARANDELA D4,2 DENT. GALV. DIN 6978
71A	10022354A	ESTRUSO DESTRO ANOD. BRILLANTE	POLISHED ANOD. AL. RIGHT EX- TRUDED PIECE	FLIESSPRESSTEIL RECHTS ELOX. GLÄNZEND	EXTRUDE DROIT ANOD.BRILLANT	PIEZA EXTRUIDA DERECHA ANOD. BRILLANTE
71B	10022364	ESTRUSO DESTRO ANOD. NERO	BLACK ANOD. AL. RIGHT EXTRU- DED PIECE	FLIESSPRESSTEIL RECHTS ELOX. SCHWARZ	EXTRUDE DROIT ANOD.NOIR	PIEZA EXTRUIDA DERECHA ANOD. COLOR NEGRO
72	10024192A	PIASTRA FONDO VERN .NERA	BLACK ENAMELLED BOTTOM PLATE	BODENPLATTE SCHWARZ LACK.	PLAQUE FOND LAQUEE NOIRE	PLACA DE FONDO PINTADA CO- LOR NEGRO
75A	10112016A	REGOLATORE LIVELLO 120V 100K	LEVEL CONTROL 120V 100K	WASSERSTANDREGLER 120V 100K	RÉGULATEUR NIVEAU 120 V 100 K	REGULADOR NIVEL 120V 100K
75B	10112018A	REGOLATORE LIVELLO 230V 100K	LEVEL CONTROL 230V 100K	WASSERSTANDREGLER 230V 100K	RÉGULATEUR NIVEAU 230 V 100 K	REGULADOR NIVEL 230V 100K
76A	10105010	PASSACAVO CAVO HO5VV-F	GLAND FOR CABLE HO5VV-F	KABELDURCHGANG KABEL HO5VV-F	GUIDE-CABLE HO5VV-F	PASACABLES CABLE HO5VV-F
76B	10105012	PASSACAVO CAVO 3X16AWG	GLAND FOR CABLE 3X16AWG	KABELDURCHGANG KABEL 3X16AWG	GUIDE-CABLE 3X16AWG	PASACABLES CABLE 3X16AWG
77	10805060	VITE TCEI M4X6 A2 UNI 5931	HEX CAP SCREW M4X6 A2 UNI 5931	RUNDKOPF-INNENSE- CHSKANTSCHRAUBE M4X6 A2 UNI 5931	VIS TCEI M4X6 A2 UNI 5931	TORNILLO TCEI M4X6 A2 UNI 5931



POS.	COD.	DESCRIZIONE	DESCRIPTION	BESCHREIBUNG	DESCRIPTION	DESCRIPCIÓN
78	10805303	VITE TSPEI M5X12 A2 UNI 5933	HEX C/SUNK SCREW M5X12 A2 UNI 5933	SENKKOPF-INNENSE-CHSKANTSCHRAUBE M5X12 A2 UNI 5933	VIS TSPEI M5X12 A2 UNI 5933	TORNILLO TSPEI M5X12 A2 UNI 5933
79	10803520	RONDELLA D.5,3 DENT.ZN	SERRATED WASHER D.5.3 ZN	UNTERLEGSSCHEIBE D.5,3 GEZAH. VERZINKT	RONDELLE D.5,3 DENT.ZN	ARANDELA D.5,3 DENT. GALV.
80	10352056	PIEDINO	FOOT	FUSS	PIED	PIE DE APOYO
81	10024160A	CARROZZERIA	HOUSING	GEHÄUSE	CARROSSERIE	CARROCERIA
82A	10102210	CAVO AL.SJT 3AWG16X2MT USA	POWER CABLE SJT 3AWG16X2MT USA	KABEL AL.SJT 3AWG16X2MT USA	CÂBLE AL.SJT 3AWG16X2MT USA	CABLE AL.SJT 3AWG16X2MT USA
82B	10105130	CAVO ALIM.H05VV-F 3X1X2MT SCHUKO	POWER CABLE H05VV-F 3X1X2MT SCHUKO	SPEISEKABEL H05VV-F 3X1X2MT SCHUKO	CÂBLE ALIM.H05VV-F 3X1X2MT SCHUKO	CABLE ALIM.H05VV-F 3X1X2MT SCHUKO
83	10852484B	TUBO TRAZIONE 3/8" L2000 DN6	TRANSFER HOSE 3/8" L2000 DN6	ANTRIEBSSCHLAUCH 3/8" L2000 DN6	TUBE TRACTION 3/8" L2000 DN6	TUBO TRACCIÓN 3/8" L2000 DN6
84	10857290B	RACC.DRITTO 10-3/8"M-M	10-3/8"M-M STRAIGHT FITTING	GERADE VERSCHRAUBUNG 10-3/8"M-M	RACC.DROIT 10-3/8"M-M	RAC. RECTO 10-3/8"M-M
85	10252060D	POMPA ROTATIVA	ROTARY PUMP	ROTATIONSPUMPE	POMPE ROTATIVE	BOMBA ROTATIVA
86A	10252082	MOTORE ELETTRICO 120W 120V	ELECTRIC MOTOR 120W 120V	ELEKTROMOTOR 120 W 120 V	MOTEUR ELECTRIQUE 120W 120V	MOTOR ELECTRICO 120W 120V
86B	10252084	MOTORE ELETTRICO 120W 230V	ELECTRIC MOTOR 120W 230V	ELEKTROMOTOR 120 W 230 V	MOTEUR ELECTRIQUE 120W 230V	MOTOR ELECTRICO 120W 230V
87	10652027A	VALVOLA UNIDIREZIONALE	1-WAY VALVE	RÜCKSCHLAGVENTIL	VANNE UNIDIRECTIONNELLE	VÁLVULA UNIDIRECCIONAL
88	10805512	DADO 4MA MEDIO ZN	MEDIUM-HT. NUT 4MA ZN	MUTTER 4MA MITTEL VERZINKT	ECROU 4MA MOYEN ZN	TUERCA 4MA MEDIANA GALV.
89	10255022	ANTIVIBRANTE POMPA	PUMP VIBRATION ISOLATION MOUNTING	VIBRATIONSDÄMPFER PUMPE	DISP. ANTI-VIBRATION POMPE	DISPOSITIVO ANTIVIBRACIONES BOMBA
90A	10102548A	CABLAGGIO TV LX TERMOSTECO 230V	230V TV THERMOSTAT WIRING	VERKABELUNG TVLX TERMOSTECO 230V	CÂBLAGE TV LX TERMOSTECO 230V	CABLEADO TV LX TERMOSTECO 230V
90B	10102558	CABLAGGIO TV LX TERMOSTECO 120V	WIRING TV LX TERMOSTECO 120V	VERKABLEUNG TVLX TERMOSTECO 120V	CÂBLAGE TV LX TERMOSTECO 120V	CABLEADO TV LX TERMOSTECO 120V
91	10955029	ETICHETTA 4 LINGUE "COLLEG. TERRA OBBL."	LABEL IN 4 LANG. „COMP. EARTH CONN.“	SCHILD 4 SPRACHEN „ERDUNG OBLIGAT.“	ETIQUETTE 4 LANGUES „CONNEXION TERRE OBLIGATOIRE“	ETIQUETA 4 IDIOMAS „TOMA DE TIERRA OBL.“
92	10355030	DISTANZ. PER MICROINTERRUTT. COMANDO LEVA	SPACER FOR LEVER CONTROL MICROSWITCH	ABSTANDHALTER FÜR MIKROSCHALTER HEBELSTEUERUNG	ENTRETOISE POUR MICRO-INTERRUPTEUR COMMANDE LEVIER	SEPARADOR PARA MICROINTERRUPTOR ACCIONAMIENTO PALANCA
93	10857270	RACCORDO CONICO A T 1/8" M/M/F OT57	OT57 1/8" M/M/F CONICAL T FITTING	T-VERSCHRAUBUNG KEGELFÖRMIG 1/8" M/M/F OT57	RACCORD CONIQUE EN T 1/8" M/M/F OT57	RACOR CÓNICO EN T 1/8" M/M/H OT57



POS.	COD.	DESCRIZIONE	DESCRIPTION	BESCHREIBUNG	DESCRIPTION	DESCRIPCIÓN
94	10809019	VITE TBEI M3X8 BRUNITE	BROWNED HEX R/HEAD SCREW M3X8	LINSENKOPFSCHRAUBE INNENSE-CHSKANT M3X8 BRÜNIERT	VIS TBEI M3X8 BRUNIES	TORNILLO TBEI M3X8 PUL.
95A	10303010B	ELETTROVALVOLA 2VIE 1/8" 230V	2-WAY SOLENOID VALVE 1/8" 230V	2-WEGE-MAGNETVENTIL 1/8" 230V	ÉLECTROVANNE 2 VOIES 1/8" 230 V	ELECTROVÁLVULA 2VÍAS 1/8" 230V
95B	10303018A	ELETTROVALVOLA 2VIE 1/8" 120V	2-WAY SOLENOID VALVE 1/8" 120V	2-WEGE-MAGNETVENTIL 1/8" 120V	ÉLECTROVANNE 2 VOIES 1/8" 120V	ELECTROVÁLVULA 2VÍAS 1/8" 120V
96	10909010	TUBO D.4X2.5 TEFLON	TEFLON HOSE D 4X2.5	TEFLONSCHLAUCH D.4X2.5	TUBE D.4X2.5 TÉFLON	TUBO D.4X2.5 TEFLON
97	10857521B	RACCORDO RIDUZIONE 3/8"M-1/8"F OT57	3/8"M-1/8"F EXTENSION FITTING	REDUZIERSTÜCK 3/8"M-1/8"F OT57	RACCORD RÉDUCTION 3/8"M-1/8"F OT57	RACOR REDUCCIÓN 3/8"M-1/8"H OT57
98	10112194A	SONDA DI TEMPERATURA 2 VIE	2-WAY TEMPERATURE SENSOR	TEMPERATURFÜHLER 2-LEITER	SONDE DE TEMPÉRATURE 2 VOIES	SONDA DE TEMPERATURA 2 VÍAS
99	10505018	OR EPDM OR6 DOCCIA ACQUA	OR EPDM OR6 BOILER OUTLET	O-RING EPDM OR6 WASSERDUSCHE	OR EPDM OR6 DOUCHETTE EAU	OR EPDM OR6 ROCIADOR AGUA
100	14402140	DOCCIA EROGAZIONE ACQUA	BOILER OUTLET	WASSERABGABEDUSCHE	DOUCHETTE SORTIE EAU	ROCIADOR SALIDA AGUA
101	10502070A	OR 3187 PER MAZZOCCO D47,2X2,62	OR 3187 FOR MAZZOCCO D 47.2X2.62	O-RING 3187 FÜR "MAZZOCCO" D47 ,2X2,62	OR 3187 POUR MAZZOCCO D 47,2X2,62	OR 3187 PARA JUNTA TÓRICA D47,2X2,62
102	10052252B	MAZZOCCO GRUPPO CAPSULA C/GUARNIZIONE	MAZZOCCO CAPSULE ASSY. W/ GASKET	MAZZOCCO KAPSELEINHEIT MIT DICHTUNG	MAZZOCCO ENSEMBLE CAPSULE AVEC JOINT	JUNTA TÓRICA GRUPO CÁPSULA C/JUNTA
103	10502050	GUARNIZIONE TENUTA CAPSULA	CAPSULE SEAL GASKET	DICHTUNG KAPSELABDICHTUNG	JOINT ÉTANCHÉITÉ CAPSULE	JUNTA ESTANQUEIDAD CÁPSULA
104	10805026	VITE TSPEI M4X10 A2	SCREW TSPEI M4X10 A2	SCHRAUBE TSPEI M4X10 A2	VIS TSPEI M4X10 A2	TORNILLO TSPEI M4X10 A2
105	10805872	VITE TC+ M4X6 ZN	SCREW TC+ M4X6 ZN	SCHRAUBE TC+M4X6 ZN	VIS TC+ M4X6 ZN	TORNILLO TC+ M4x6 ZN
106	10852222	RONDELLA RAME D.17,6XD.25XH3	COPPER WASHER D 17.6 X D25 X H3	UNTERLEGSSCHEIBE KUPFER D.17,6XD.25XH3	RONDELLE CUIVRE D.17,6XD.25XH3	ARANDELA COBRE D.17,6XD.25XH3
107	10502032	GUARN. SOTTO COPPA 8,5 TV A CIALDA	GASKET UNDER COVER 8.5 TV POD	ÖLWANNENDICHT. 8,5 TV FÜR PADS	JOINT DESSOUS DE COUPE 8,5 TV A DOSETTE	JUNTA BAJO COPA 8,5 TV CON PASTILLA
108	10052220	FILTRO CIECO	BLIND FILTER	BLINDFILTER	FILTRE NON PERCE	FILTRO CIEGO
109	10052110	FILTRO 2 TAZZE	2-CUP FILTER	2-TASSEN-FILTER	FILTRE 2 TASSES	FILTRO 2 TAZAS
110	10052100	FILTRO 1 TAZZA	1-CUP FILTER	1-TASSEN-FILTER	FILTRE 1 TASSE	FILTRO 1 TAZA
111	10052051	MOLLA FERMA FILTRO 1,2	FILTER RETAINER SPRING 1,2	SIEBHALTEFEDER 1,2	RESSORT ARRÊT FILTRE 1.2	MUELLE SUJETA FILTRO 1,2
112	14052085A	BECCUCCIO 2 VIE	2-WAY SPOUT	2ER-AUSLAUF	BEC 2 VOIES	BOQUILLA 2 VÍAS
113	14052080	BECCUCCIO 1 VIA	1-WAY SPOUT	1ER-AUSLAUF	BEC 1 VOIE	BOQUILLA 1 VÍA
114	10502072	OR 4075 EPDM MOD. CIALDE	OR 4075 EPDM POD MOD.	OR 4075 EPDM MOD. PADS	OR 4075 EPDM MOD. DOSETTES	OR 4075 EPDM MOD. PASTILLAS
115	10052236	MAZZOCCO GRUPPO CIALDA	MAZZOCCO POD ASSY.	MAZZOCCO PAD-EINHEIT	MAZZOCCO ENSEMBLE DOSETTE	JUNTA TÓRICA GRUPO PASTILLA



POS.	COD.	DESCRIZIONE	DESCRIPTION	BESCHREIBUNG	DESCRIPTION	DESCRIPCIÓN
116	10055060	DOCCIA D.34 GRUPPO A CIALDA	BOILER OUTLET D.34 POD ASSY.	WASSERAUSLAUF D.34 PAD-EINHEIT	DOUCHETTE D.34 ENSEMBLE À DOSETTE	ROCIADOR D.34 GRUPO CON PASTILLA
117	10805132	VITE TSPEI M4X8 A2	SCREW TSPEI M4X8 A2	SCHRAUBE TSPEI M4X8 A2	VIS TSPEI M4X8 A2	TORNILLO TSPEI M4x8 A2
118	10402183A	GIUDA MOLLA PER SNODO LANCIA TV	SPRING GUIDE FOR NOZZLE BALL JOINT TV	FEDERFÜHRUNGSSCHIENE FÜR GELENK ROHR TV	GUIDE RESSORT POUR ARTIC. BUSE TV	GUÍA MUELLE PARA ARTICULACIÓN LANZA TV
119	10402182A	MOLLA PER SNODO LANCIA TV	SPRING FOR NOZZLE BALL JOINT TV	FEDER FÜR GELENK ROHR TV	RESSORT POUR ARTIC. BUSE TV	MUELLE PARA ARTICULACIÓN LANZA TV
120	10402185	GUARNIZIONE PTFE SNODO LANCIA TV	GASKET PTFE JOINT LANCE TV	PTFE - DICHTUNG GELENK ROHR TV	JOINT PTFE ARTIC. BUSE TV	JUNTA PTFE ARTICULACIÓN LANZA TV
121	10402180	RACC. RIDUZIONE PER SNODO LANCIA TV	REDUCER UNION FOR LANCE JOINT	ANSCHL. REDUZIERSTUTZEN FÜR GELENKROHR TV	RACC. RÉDUCTION POUR ARTIC. BUSE TV	RAC. ADAPTADOR PARA ARTICULACIÓN LANZA TV
122	10402350	LANCIA CAPPUCINATORE SON SNODO TV	CAPPUCCINO MAKER LANCE WITH JOINT TV	ROHR MILCHAUFSCÄUMER MIT GELENK TV	BUSE À CAPPUCCINO AVEC ARTIC. TV	LANZA EMULSIONADOR CON ARTICULACIÓN TV
123	10652058B	VALVOLA SICUREZZA OT57	OT57 SAFETY VALVE	SICHERHEITSVENTIL OT57	SOUPAPE DE SÛRETÉ OT57	VÁLVULA DE SEGURIDAD OT57
124	10022499	VASCHETTA SCARICO VALVOLA SICUREZZA	SAFETY VALVE DRIP TRAY	ABLAUSCHALE SICHERHEITSVENTIL	BAC ÉGOUTTAGE SOUPAPE DE SÉCURITÉ	CUBA VACIADO VÁLVULA DE SEGURIDAD
125	10652040A	VALVOLA DI SFIATO CALDAIA	SAFETY VALVE DRIP TRAY LID	ENTLÜFTUNGSVENTIL HEIZKESSEL	PURGEUR CHAUDIÈRE	VÁLVULA DE PURGA CALDERA
126	10852180	RONDELLA RAME 1/4"	COPPER WASHER 1/4"	UNTERLEGSCHIEBE KUPFER 1/4"	RONDELLE CUIVRE 1/4"	ARANDELA COBRE 1/4"
127	10022497A	COPERCHIOVASCHETTADI-SCARICOVALVOLADISICUREZZA	SAFETY VALVE DRIP TRAY LID	DECKEL ABLAUSCHALE SICHERHEITSVENTIL	COUVERCLE BAC ÉGOUTTAGE SOUPAPE DE SÉCURITÉ	TAPADERA CUBA VACIADO VÁLVULA DE SEGURIDAD
128	10905024	TUBO SILICONE D12X18	SILICONE HOSE D 12X18	SILIKONSCHLAUCH D12X18	TUBE SILICONE D12X18	TUBO SILICONA D12X18
129	10402575	GUARNIZIONE FUST.COPERCHIO TV-TV NBR 1,5	DIE-CUT LID GASKET TV-TV NBR 1.5	DICHTUNG GEHÄUSEDECKEL TV-TV NBR 1,5	JOINT COUVERCLE TV-TV NBR 1,5	JUNTA FUST.TAPADERA TV-TV NBR 1,5