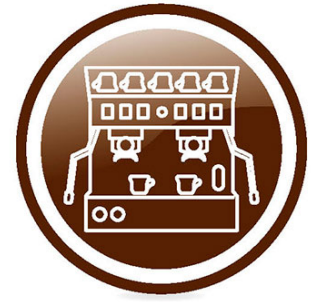




Spare parts for the professional sector: Espresso coffee machines



Suitable for:

CONTI

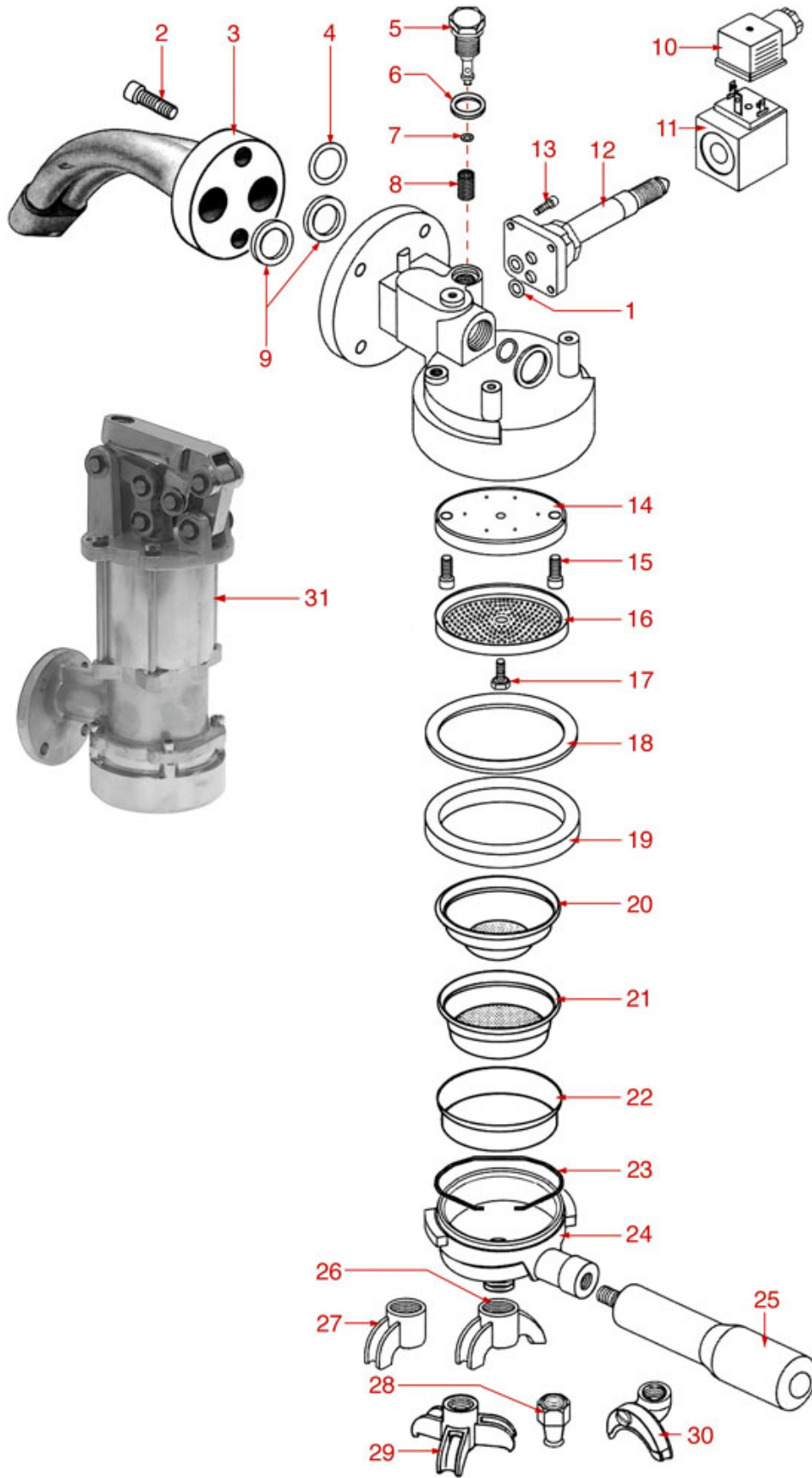


This catalogue is automatically generated.
Therefore, the sequence of the items might
not be always shown at best.
Updates will be issued in case of additions
and/or amendments.
Suitable universal spare parts may not be included





BREW GROUP





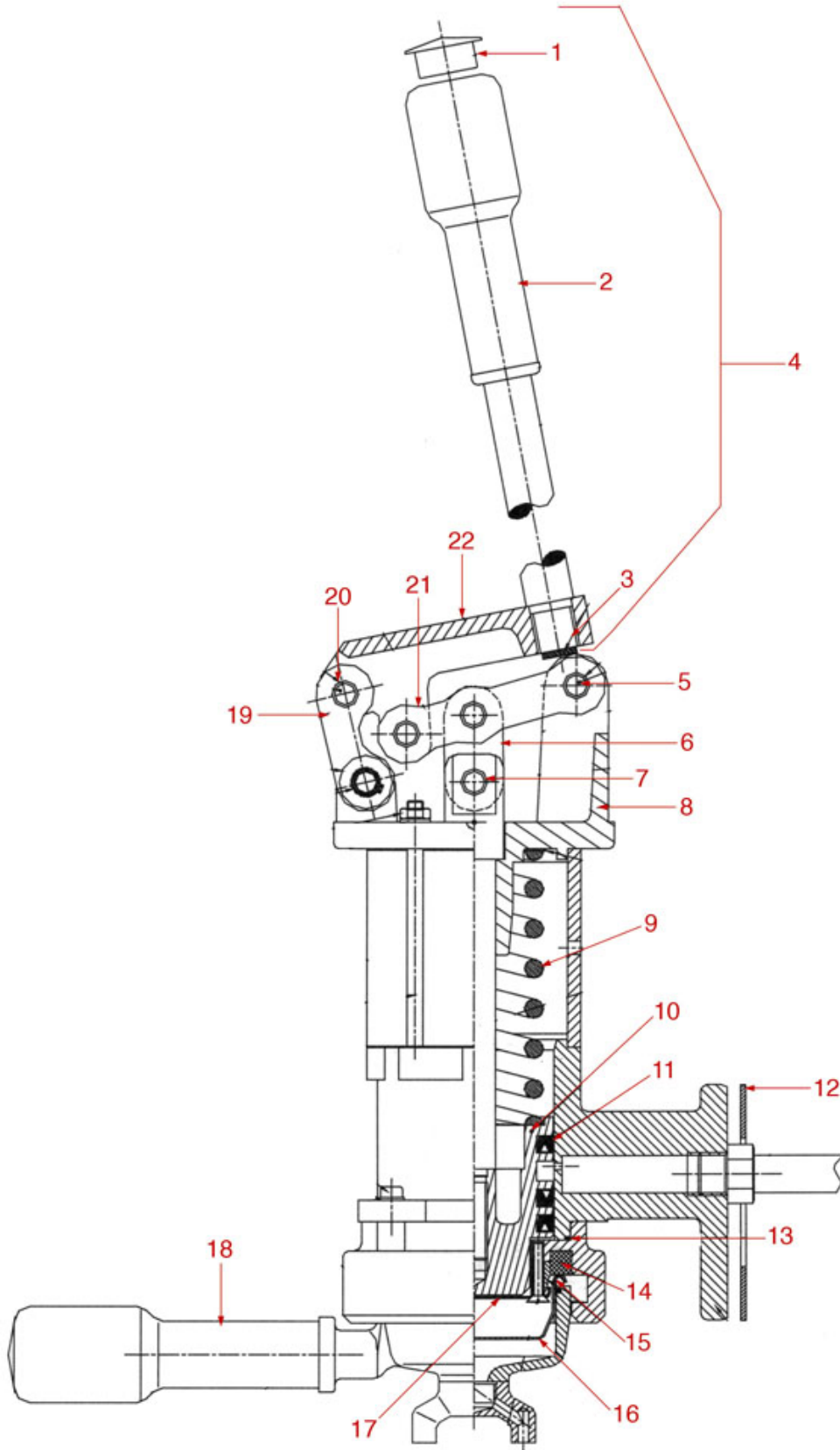
CONTI



Position	LF code no.	Description
1	1186612	O-RING 02025 VITON
4	1186805	O-RING 0115 EPDM
5	1349123	CAP FOR BREW GROUP
6	1186114	COPPER FLAT GASKET \varnothing 17x13.1x1 mm
7	1186252	O-RING 0040-20 EPDM
8	1160338	WATER FILTER \varnothing 8x13 mm
9	1186119	PTFE FLAT GASKET \varnothing 17.3x12x2 mm
10	3120034	FEMALE LARGE CONNECTOR
11	1120336	COIL PARKER ZB09 9W 110/120V 50/60Hz
11	3120032	COIL PARKER ZB09 9W 220/240V 50/60Hz
12	1120339	3-WAY MECHANICAL COMPONENT PARKER
13	1455034	CYLINDER HEAD SCREW M4x10
14	1086005	SHOWER HOLDER DIFFUSER
15	1184012	CYLINDER HEAD SCREW M5x10
16	1081101	SHOWER SCREEN \varnothing 58.5 mm
18	1190001	PAPER SHIM \varnothing 73x59x0.8 mm
19	1186676	FILTER HOLDER GASKET \varnothing 72x56x8.5 mm
19	1186711	FILTER HOLDER GASKET \varnothing 72x56x9 mm
20	1160251	1 CUP FILTER 6 g
20	1160335	1 CUP FILTER 7 g
21	1160252	FILTER 2-CUP 12 g
21	1160337	FILTER 2-CUP 14 g
21	1160345	2 CUPS FILTER 18 gr
22	1160339	BLIND FILTER
23	1250101	FILTER BLOCKING SPRING \varnothing 1,00 mm INOX
24	1165101	FILTER HOLDER CONTI
25	1241504	FILTER HOLDER HANDLE M12
26	1022531	DOUBLE SPOUT \varnothing 3/8"
27	1022550	SINGLE SPOUT \varnothing 3/8"
28	1022503	STRAIGHT SINGLE SPOUT \varnothing 3/8"
29	1022551	TRIPLE SPOUT \varnothing 3/8"
30	1022502	DOUBLE SPOUT \varnothing 3/8"



LEVER GROUP





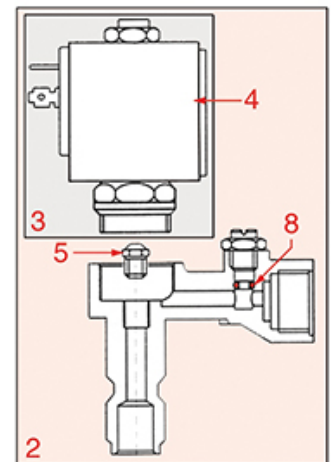
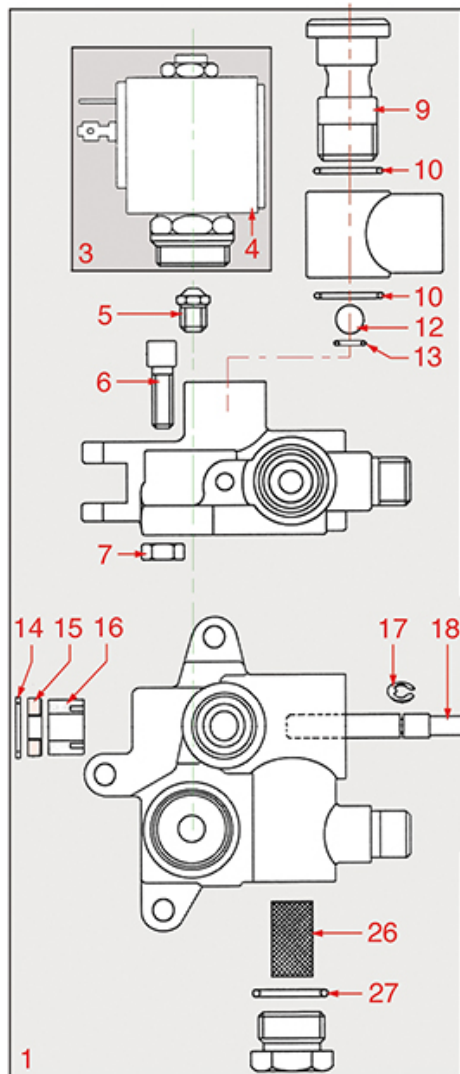
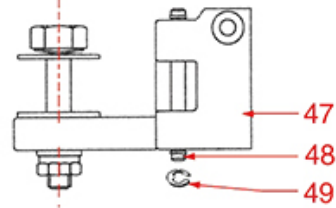
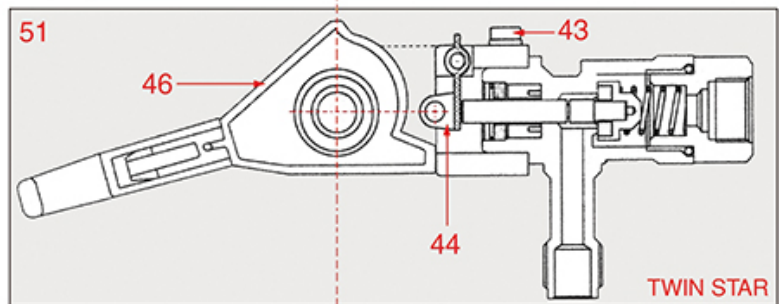
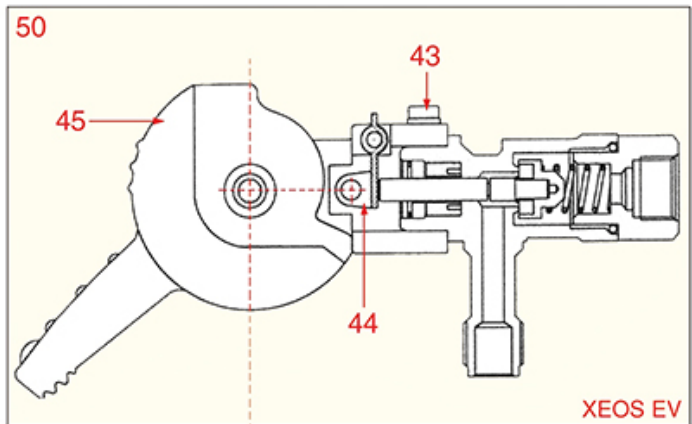
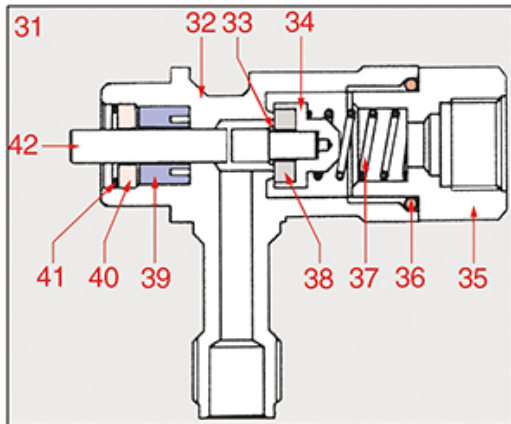
CONTI



Position	LF code no.	Description
11	1186383	LIP SEAL \varnothing 61x47x6.3 mm
12	1186382	COFFEE GROUP GASKET \varnothing 88x48x2 mm
13	1186381	O-RING M 0680-20 EPDM
14	1186676	FILTER HOLDER GASKET \varnothing 72x56x8.5 mm
14	1186711	FILTER HOLDER GASKET \varnothing 72x56x9 mm
15	1086508	SHOWER HOLDER DIFFUSER
16	1160251	1 CUP FILTER 6 g
16	1160345	2 CUPS FILTER 18 gr
17	1081102	SHOWER \varnothing 57 mm
18	1165019	1 CUP FILTER HOLDER ASSEMBLY CONTI
18	1165020	2 CUPS FILTER HOLDER ASSEMBLY CONTI



TAPS





CONTI



Position	LF code no.	Description
2	1348310	WATER INLET TAP
4	1120820	COIL ODE BDA08223DS 220/230V 50/60Hz
8	1186163	O-RING 02010 EPDM
12	1323416	STAINLESS STEEL BALL ø 10 mm
13	1186352	O-RING 02050 EPDM
16	1186166	LIP SEAL ø 14x7x10.5 mm
20	1186161	FLAT EPDM GASKET ø 13x4x4 mm
24	1160346	WATER FILTER ø 14 mm
25	3243266	O-RING 02081 EPDM
27	1186414	O-RING 01119 EPDM
36	1186438	O-RING GASKET 0132 EPDM
38	1186161	FLAT EPDM GASKET ø 13x4x4 mm
45	1225407	WATER/STEAM TAP KNOB
50	1348305	COMPLETE TAP XEOS EV



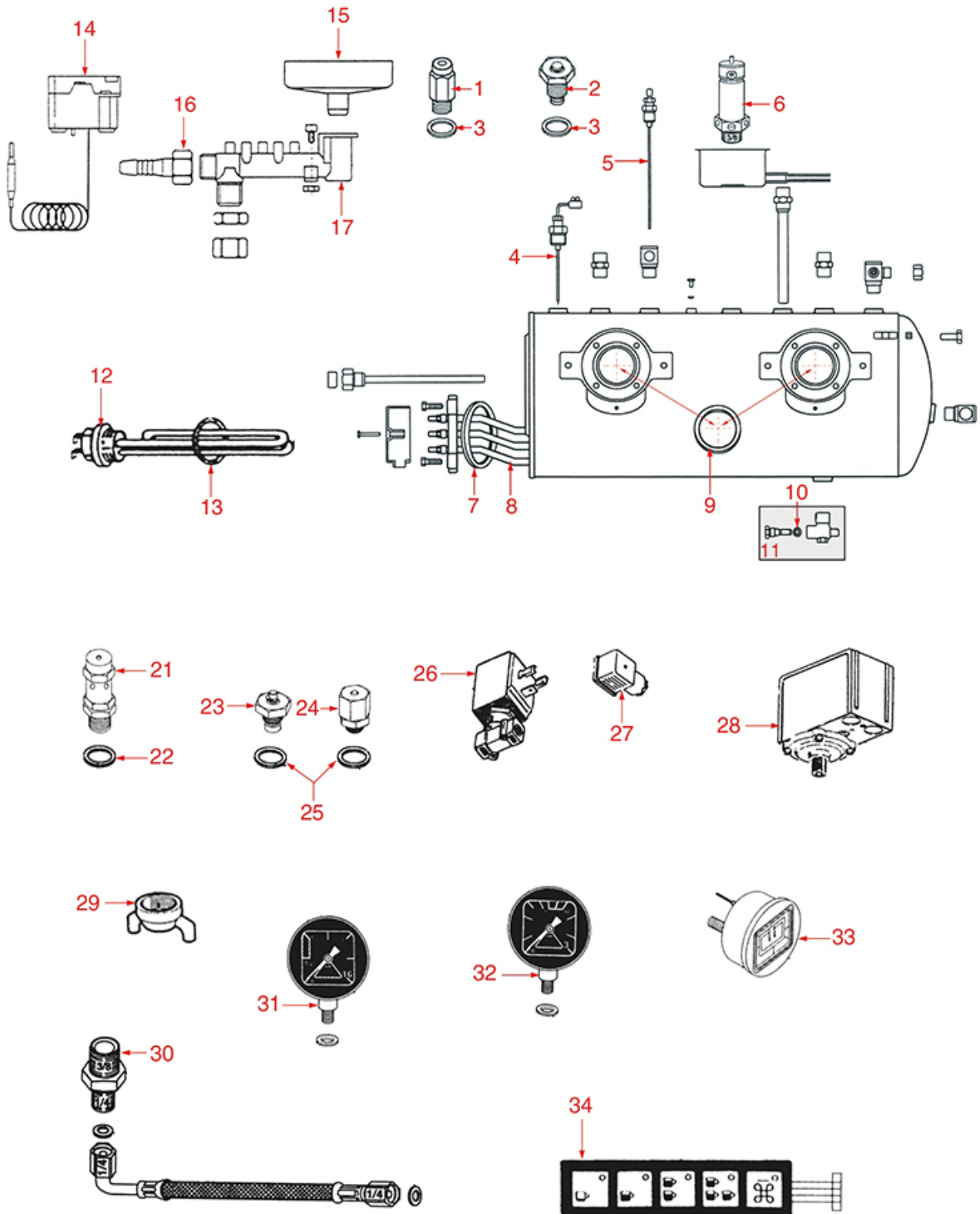
CONTI



Position	LF code no.	Description
1	1348314	COMPLETE TAP "CLUB"
2	1241367	WATER/STEAM TAP KNOB
4	1241561	ELASTIC RING FOR KNOB
8	1186157	O-RING GASKET M 0120-20 VITON
9	1186167	COPPER FLAT GASKET ø 21.2x18x1.5 mm
12	1186235	BLIND GASKET ø 14x4 mm
15	1186177	CONICAL PTFE SEAL ø 13.5x7.5x3.5 mm
16	3243086	O-RING 0117 EPDM
18	3060608	O-RING O3050 EPDM
19	1449328	STEAM PIPE COMPLETE
21	1449329	STEAM PIPE COMPLETE
23	1449330	COMPLETE WATER PIPE
32	1186612	O-RING 02025 VITON
34	1186268	COPPER FLAT GASKET ø 13x8x1 mm
38	1523514	NON-RETURN VALVE ø 1/4"F-1/4"M
40	1523519	NON-RETURN VALVE ø 1/4"M-3/8"M
41	1120820	COIL ODE BDA08223DS 220/230V 50/60Hz
42	1186352	O-RING 02050 EPDM



BOILER





CONTI



Position	LF code no.	Description
2	1523534	BOILER VALVE \varnothing 1/4"M
2	1523537	BOILER VALVE \varnothing 1/4"M
3	1186619	COPPER FLAT GASKET \varnothing 18x14x1.5 mm
4	1341752	LEVEL PROBE \varnothing 1/4"M-148 mm
4	3341017	LEVEL PROBE \varnothing 1/4"M-120 mm
5	3341011	LEVEL PROBE \varnothing 1/4"M-140 mm
6	1515100	BOILER VALVE \varnothing 3/8"M 1.8bar CE-PED
7	1186155	PTFE FLAT GASKET \varnothing 76x68.4x3 mm
8	1755391	HEATING ELEMENT 2800/3050W 230/240V
8	1755392	HEATING ELEMENT 2800W 220/380V
8	1755393	HEATING ELEMENT 4000/4350W 230/240V
8	1755394	HEATING ELEMENT 6000W 220/380V
15	1527032	DRAIN TANK
17	1527033	OUTLET MANIFOLD
21	1515100	BOILER VALVE \varnothing 3/8"M 1.8bar CE-PED
22	1186186	ROUND COPPER GASKET \varnothing 23x17x3 mm
23	1523534	BOILER VALVE \varnothing 1/4"M
23	1523537	BOILER VALVE \varnothing 1/4"M
24	1523538	BOILER VALVE \varnothing 1/4"M
25	1186619	COPPER FLAT GASKET \varnothing 18x14x1.5 mm
26	1120153	2-WAY SOLENOID VALVE PARKER 110V 50/60Hz
26	1120354	2-WAY SOLENOID VALVE PARKER 230V 50/60Hz
27	3120034	FEMALE LARGE CONNECTOR
28	1320531	PRESSURE SWITCH P302/6 3-POLES 30A
28	1320541	PRESSURE SWITCH PARKER
29	1022532	DOUBLE SPOUT M18x1.5 mm
30	1349112	FITTING \varnothing 1/4"M-3/8"M
31	1245300	PUMP PRESSURE GAUGE \varnothing 62 mm 0÷16 bar
32	1245301	BOILER PRESSURE GAUGE \varnothing 62 mm 0÷3 bar
33	1242005	BOILER-PUMP PRESSURE GAUGE \varnothing 63 mm
33	1245532	BOILER-PUMP PRESSURE GAUGE \varnothing 63 mm



Suitable for:

CONTI



Suitable for:

Ball valves and accessories

3526699 BALL VALVE \varnothing 1/4" MF



CONTI 410617

Boiler safety valves

1523534 BOILER VALVE \varnothing 1/4" M
stainless steel - new model
internal PTFE coating - or viton
for Coffee machine (CONTI) CLUB - TWIN STAR2
XEOS2



CONTI 408898

1523537 BOILER VALVE \varnothing 1/4" M
stainless steel - old model
or viton



CONTI

1523538 BOILER VALVE \varnothing 1/4" M
made of brass



CONTI

1515100 BOILER VALVE \varnothing 3/8" M 1.8bar CE-PED
calibration pressure 1.8 bar
steam outlet capacity 6.3 Kg/h



CONTI

3523090 INSULATING CAP FOR BOILER VALVE
for Coffee machine (CONTI) XEOS EVOLUTION2



CONTI 410915



Booster pumps

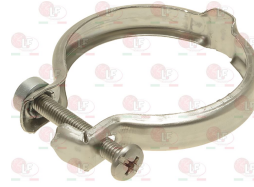
1330012 ROTARY VANE PUMP PROCON \varnothing 3/8" NPT

clamp connection
flow rate 200 l/h
equipped with balanced bypass
connection \varnothing 3/8" conical NPT
NSF approved



CONTI

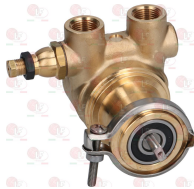
1168011 STAINLESS STEEL CLAMP FOR FLANGE PUMP



CONTI

1330001 ROTARY VANE PUMP ROTOFLOW \varnothing 3/8" NPT

clamp connection
flowrate 100 L/h
equipped with balanced bypass
connection \varnothing 3/8" conical NPT
NSF - WRAS approved
for Coffee machine (CONTI) CLUB



CONTI 4057225

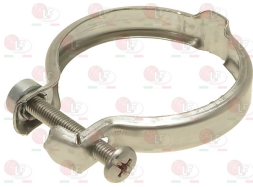
1349100 PUMP CONNECTION \varnothing 3/8" CONIC-3/8" STRAIGH

3/8" CONICAL (NPT)-3/8" STRAIGHT
for Coffee machine (CONTI) XEOS2



CONTI 755200

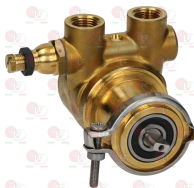
1168011 STAINLESS STEEL CLAMP FOR FLANGE PUMP



CONTI

1330101 ROTARY VANE PUMP ROTOFLOW \varnothing 3/8" NPT

flange connection
flowrate 100 L/h
with balanced by-pass
fitting \varnothing 3/8" conical NPT
N.S.F. approved
PUMP VERSION ECO-BRASS
BRASS CW510L LEAD \leq 0.2%



CONTI

1349100 PUMP CONNECTION \varnothing 3/8" CONIC-3/8" STRAIGH

3/8" CONICAL (NPT)-3/8" STRAIGHT
for Coffee machine (CONTI) XEOS2



CONTI 755200



Suitable for:

1168011 STAINLESS STEEL CLAMP FOR FLANGE PUMP



CONTI

1330102 ROTARY VANE PUMP ROTOFLOW \varnothing 3/8" NPT
flange connection
flowrate 200 L/h
with balanced by-pass
fitting \varnothing 3/8" conical NPT
N.S.F. approved
PUMP VERSION ECO-BRASS
BRASS CW510L LEAD \leq 0.2%



CONTI

1168011 STAINLESS STEEL CLAMP FOR FLANGE PUMP



CONTI

CONTI

Suitable for:



1349100 PUMP CONNECTION \varnothing 3/8" CONIC-3/8" STRAIGH
3/8" CONICAL (NPT)-3/8" STRAIGHT
for Coffee machine (CONTI) XEOS2



CONTI 755200

Brushes

1384023 BRUSH FOR CLEANING 50 mm



CONTI

1384002 BRUSH FOR MAINTENANCE



CONTI

1384001 BRUSH FOR COFFEE SHOWER



CONTI

1384014 BRUSH FOR SHOWER RED



CONTI



Caps

- 1349123 CAP FOR BREW GROUP**
for Coffee machine (CONTI) CLUB - SK2 - XEOS2



CONTI 403456

Circlips

- 1250191 RADIAL SEEGER RING \varnothing 3,2 mm**
stainless steel - external \varnothing 7.3 mm - thickness 0.
UNI 7434 - DIN 6799



CONTI 405184

Clamps

- 1168011 STAINLESS STEEL CLAMP FOR FLANGE PUMP**



CONTI

Coffee filters

- 1160339 BLIND FILTER**
for Coffee machine (CONTI)



CONTI

- 1160252 FILTER 2-CUP 12 g**



CONTI 016780

- 1160337 FILTER 2-CUP 14 g**
for Coffee machine (CONTI) CLUB - TWIN STAR2
XEOS2



CONTI 016700

- 1160282 FILTER 2-CUP 14 g - COST EFFECTIVE**



CONTI



Suitable for:

CONTI



Suitable for:

1460100 PRECISION FILTER 1 CUP 6/8 g H24.5
 round holes with conical section
 Aisi 304 stainless steel - food-safe certified
 matching tamper ø 58 mm
 for COFFEE MACHINES ASTORIA-CASADIO-CONTI-ELEKTRA
 FRACINO-KEESVANDERWESTEN-MAGISTER-MARZOCCO
 N.SIMONELLI-PAVONI-PROMAC-RANCILIO-SLAYER-SYNESSO
 VICTORIA ARDUINO
 for GROUPS E61 ASCASO-BEZZERA-BFC-BIANCHI
 BRASILIA-DID-ECM-EXPOBAR-FAEMA-FIORENZATO-GRIMAC
 IBERITAL-LANUOVAERA-LASCALA-ORCHESTRALE
 QUALITYESPRESSO-ROCKET-ROYAL-SABITALIA-SANREMO-VFA
 VIBIEMME-WEGA



CONTI

1460101 PRECISION FILTER 1 CUP 7/9 g H26.5
 round holes with conical section
 Aisi 304 stainless steel - food safe certified
 matching tamper ø 58 mm
 for GROUP E61 ASCASO-BEZZERA-BFC-BIANCHI
 BRASILIA-DID-ECM-EXPOBAR-FAEMA-FIORENZATO-GRIMAC
 IBERITAL-LANUOVAERA-LASCALA-L'ORCHESTRALE
 QUALITYESPRESSO-ROCKET-ROYAL-SABITALIA-SANREMO-VFA
 VIBIEMME-WEGA
 for Coffee machine (CONTI)



CONTI

1460102 PRECISION FILTER 2 CUPS 12/18 g H24.5
 round holes with conical section
 Aisi 304 stainless steel - food safe certified
 matching tamper ø 58 mm
 for GROUP E61 ASCASO-BEZZERA-BFC-BIANCHI
 BRASILIA-DID-ECM-EXPOBAR-FAEMA-FIORENZATO-GRIMAC
 IBERITAL-LANUOVAERA-LASCALA-L'ORCHESTRALE
 QUALITYESPRESSO-ROCKET-ROYAL-SABITALIA-SANREMO-VFA
 VIBIEMME-WEGA
 for Coffee machine (CONTI)



CONTI

1460103 PRECISION FILTER 2 CUPS 14/20 g H26.5
 round holes with conical section
 Aisi 304 stainless steel - food safe certified
 matching tamper ø 58 mm
 for GROUP E61 ASCASO-BEZZERA-BFC-BIANCHI
 BRASILIA-DID-ECM-EXPOBAR-FAEMA-FIORENZATO-GRIMAC
 IBERITAL-LANUOVAERA-LASCALA-L'ORCHESTRALE
 QUALITYESPRESSO-ROCKET-ROYAL-SABITALIA-SANREMO-VFA
 VIBIEMME-WEGA
 for Coffee machine (CONTI)



CONTI

1460104 PRECISION FILTER 2 CUPS 18/22 g H28,5
 round holes with conical section
 Aisi 304 stainless steel - food safe certified
 matching tamper ø 58 mm
 for GROUP E61 ASCASO-BEZZERA-BFC-BIANCHI
 BRASILIA-DID-ECM-EXPOBAR-FAEMA-FIORENZATO-GRIMAC
 IBERITAL-LANUOVAERA-LASCALA-L'ORCHESTRALE
 QUALITYESPRESSO-ROCKET-ROYAL-SABITALIA-SANREMO-VFA
 VIBIEMME-WEGA
 for Coffee machine (CONTI)



CONTI

1460400 PRECISION FILTER 2T 12/18 g H24
 ultrafine model
 circular holes with conical section
 Aisi 304 steel - food-safe certified
 ø 58 mm suitable tamper
 for COFFEE MACHINES: ASTORIA-CASADIO-CONTI-ELEKTRA
 FRACINO-KEESVANDERWESTEN-MAGISTER-MARZOCCO
 N.SIMONELLI-PAVONI-PROMAC-RANCILIO-SLAYER-SYNESSO
 VICTORIA ARDUINO
 for GROUPS: E61 ASCASO-BEZZERA-BFC-BIANCHI
 BRASILIA-DID-ECM-EXPOBAR-FAEMA-FIORENZATO-GRIMAC
 IBERITAL-LANUOVAERA-LASCALA-ORCHESTRALE
 QUALITYESPRESSO-ROCKET-ROYAL-SABITALIA-SANREMO-VFA
 VIBIEMME-WEGA



CONTI



Suitable for:

Suitable for:

1460401 PRECISION FILTER 2T 14/20 g H26
 ultrafine model
 circular holes with conical section
 Aisi 304 steel - food-safe certified
 ø 58 mm suitable tamper
 for COFFEE MACHINES: ASTORIA-CASADIO-CONTI-ELEKTRA
 FRACINO-KEESVANDERWESTEN-MAGISTER-MARZOCCO
 N.SIMONELLI-PAVONI-PROMAC-RANCILIO-SLAYER-SYNESSO
 VICTORIA ARDUINO
 for GROUPS: E61 ASCASO-BEZZERA-BFC-BIANCHI
 BRASILIA-DID-ECM-EXPOBAR-FAEMA-FIORENTATO-GRIMAC
 IBERITAL-LANUOVAERA-LASCALA-ORCHESTRALE
 QUALITYESPRESSO-ROCKET-ROYAL-SABITALIA-SANREMO-VFA
 VIBIEMME-WEGA

1460402 PRECISION FILTER 2T 18/22 g H28
 ultrafine model
 circular holes with conical section
 Aisi 304 steel - food-safe certified
 ø 58 mm suitable tamper
 for COFFEE MACHINES: ASTORIA-CASADIO-CONTI-ELEKTRA
 FRACINO-KEESVANDERWESTEN-MAGISTER-MARZOCCO
 N.SIMONELLI-PAVONI-PROMAC-RANCILIO-SLAYER-SYNESSO
 VICTORIA ARDUINO
 for GROUPS: E61 ASCASO-BEZZERA-BFC-BIANCHI
 BRASILIA-DID-ECM-EXPOBAR-FAEMA-FIORENTATO-GRIMAC
 IBERITAL-LANUOVAERA-LASCALA-ORCHESTRALE
 QUALITYESPRESSO-ROCKET-ROYAL-SABITALIA-SANREMO-VFA
 VIBIEMME-WEGA



CONTI

CONTI

1160251 1 CUP FILTER 6 g
 for Coffee machine (CONTI) CLUB - XEOS2

1160335 1 CUP FILTER 7 g



CONTI 016840

CONTI 016840

1160281 1-CUP FILTER 7 gr - BASIC QUALITY

1160345 2 CUPS FILTER 18 gr



CONTI

CONTI 27190

1160028 3 CUPS FILTER 23 gr
 height 30 mm
 for Coffee machine (CONTI) CLUB - TWIN STAR2
 XEOS2



CONTI 227800



Suitable for:

CONTI



Suitable for:

Coffee measuring spoons

1069001 PLASTIC MEASURING SPOON 20 ml



CONTI

1069002 STAINLESS STEEL MEASURING SPOON 20 ml



CONTI

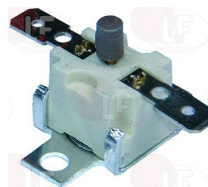
Contact thermostats

1444016 CONTACT THERMOSTAT 160°C 16A 250V
with manual reset
for Coffee machine (CONTI) CLUB - TWIN STAR2
XEOS2



CONTI 410634

1444017 CONTACT THERMOSTAT 215°C
16A - 250V
for SSK2-TWIN STAR 2



CONTI 410633

1443017 CONTACT THERMOSTAT 85°C M4
for Coffee machine (CONTI) TWIN STAR2



CONTI 411308

Contactors

3446556 CONTACTOR LOVATO BG0910A
coil 9A 230V 50/60Hz 4Kw
3 normally open contacts
1 normally open auxiliary contact



CONTI MAZ019



Detergents

1092200 DETERGENT LUJO MILK FROTHER 1 L
 100% made in Germany
 for cappuccinatore and milk-frother cleaning
 please see the attached documentation for use



CONTI 4652041

3092080 DETERGENT PULY CAFF PLUS
 package 100 tabs 1 g
 NSF CERTIFIED
 for SUPERAUTOMATIC COFFEE MACHINES
 please see the attached documentation for use
 for Coffee machine (CONTI) TT388



CONTI 466215

3092085 DETERGENT PULY MILK PLUS 1000 ml
 for cappuccinatore and milk-frother cleaning
 please see the attached documentation for use
 NSF CERTIFIED
 for Coffee machine (CONTI) TT388



CONTI 4652041

Drain hoses

1449270 DRAIN PIPE ELISPIR \varnothing 12x18 mm - 30 m
 alimentary



CONTI

1449670 DRAIN PIPE ELISPIR \varnothing 12x18 mm - 5 m
 alimentary



CONTI

1449271 DRAIN PIPE ELISPIR \varnothing 14x20 mm - 30 m
 alimentary



CONTI

1449671 DRAIN PIPE ELISPIR \varnothing 14x20 mm - 5 m
 alimentary



CONTI

1449272 DRAIN PIPE ELISPIR \varnothing 16x23 mm - 30 m
 alimentary



CONTI

1449672 DRAIN PIPE ELISPIR \varnothing 16x23 mm - 5 m
 alimentary



CONTI



Suitable for:

CONTI



1449273 DRAIN PIPE ELISPIR \varnothing 18x25 mm - 30 m
alimentary



CONTI

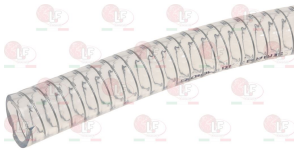
Suitable for:

1449673 DRAIN PIPE ELISPIR \varnothing 18x25 mm - 5 m
alimentary



CONTI

1449274 DRAIN PIPE ELISPIR \varnothing 20x27 mm - 30 m
alimentary



CONTI

1449674 DRAIN PIPE ELISPIR \varnothing 20x27 mm - 5 m
alimentary



CONTI

1449255 OUTLET HOSE ELISPIR \varnothing 25x33 mm
sold per meter



CONTI

1449256 OUTLET HOSE ELISPIR \varnothing 30x38 mm
sold per meter



CONTI

Drain tanks

1527035 COMPLETE DRAIN LOCK
for Coffee machine (CONTI) TWIN STAR2



CONTI 410983

1527032 DRAIN TANK
for Coffee machine (CONTI) CLASSICA - CONTICLUB
ESSIKA - SSK2 - XEOS



CONTI 405386

1527033 OUTLET MANIFOLD
for Coffee machine (CONTI) CLASSICA - CONTICLUB
ESSIKA - SSK2 - XEOS

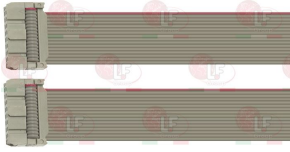


CONTI 408160



Electrical cables

1050006 16-POLE FLAT CABLE 1400 mm
for Coffee machine (CONTI) CLUB



CONTI 409840

Filter holder gaskets

1186676 FILTER HOLDER GASKET \varnothing 72x56x8.5 mm
with external cuts
for Coffee machine (CONTI) CLUB - XEOS2



CONTI 002710

1186711 FILTER HOLDER GASKET \varnothing 72x56x9 mm
4 external cuts
for Coffee machine (CONTI) TWIN STAR2



CONTI 2700

Filter holders for coffee machines

1165162 BARLEY/COFFEE PODS FILTER HOLDER
wings 6.5 mm



CONTI

1165039 BOTTOMLESS FILTER HOLDER CONTI
wings 8 mm



CONTI

1165101 FILTER HOLDER CONTI
spout connection \varnothing 3/8" - handle connection M12
wings 7.5 mm
for Coffee machine (CONTI) CLUB - XEOS - XEOS2



CONTI 4056791

1165500 FILTERHOLDER WITH THERMOMANOMETER
measures water temperature and outlet pressure
from the brew group
temperature scale 0-120°C / 0-240°F
pressure scale 0-16 bar / 0-200 psi
with outlet ballvalve
fins 7.2 mm
for Coffee machine (CONTI)



CONTI



Suitable for:

CONTI



1165019 1 CUP FILTER HOLDER ASSEMBLY CONTI
spout connection \varnothing 3/8" - handle connection M12
wings 7.4 mm - with spring - without filter



CONTI 409998

Suitable for:

1165020 2 CUPS FILTER HOLDER ASSEMBLY CONTI
spout connection \varnothing 3/8" - handle connection M12
wings 7.4 mm - with spring - without filter



CONTI 4099991+016780

Filter locking springs

1250101 FILTER BLOCKING SPRING \varnothing 1,00 mm INOX



CONTI

CONTI 016711

1250338 FILTER LOCKING SPRING \varnothing 1.40 mm ST.STEEL



CONTI

1250002 S/STEEL FILTER LOCKING SPRING \varnothing 1.20 mm



CONTI

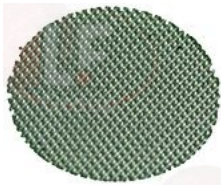
1250333 SPRING FILTER BLOCK \varnothing 1.30 mm ST.STEEL



CONTI

Filters

1160346 WATER FILTER \varnothing 14 mm



CONTI 327154

1160338 WATER FILTER \varnothing 8x13 mm
for Coffee machine (CONTI) CLUB - XE0S2



CONTI 403458

Fittings

1349191 "L" FITTING \varnothing 3/8"M-3/8"M



CONTI 409833

CONTI 4098331+411861

CONTI 411861+4098331

1349112 FITTING \varnothing 1/4"M-3/8"M



CONTI



Suitable for:

1349103 FITTING \varnothing 3/8"M-3/8"M
for Coffee machine (CONTI) CLUB - SK2 - SSK2
TWIN STAR2



CONTI 410624

Suitable for:

1349100 PUMP CONNECTION \varnothing 3/8"CONIC-3/8" STRAIGH
3/8"CONICAL(NPT)-3/8"STRAIGHT
for Coffee machine (CONTI) XEOS2



CONTI 755200

1349153 T-FITTING \varnothing 1/4"M-1/4"M-1/4"M
for Coffee machine (CONTI) SK2 - SSK2



CONTI 409830

Flowmeters

1455033 CONNECTOR FEMALE SMALL
for volumetric flowmeter



CONTI

3455333 COVER-HEAD FOR VOLUMETRIC FLOW METER LED



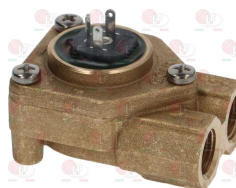
CONTI

1455032 IMPELLER GICAR



CONTI

1455005 VOLUMETRIC FLOW METER GICAR
fittings \varnothing 1/4"FF - nozzle 1.15 mm
for Coffee machine (CONTI) SK2



CONTI 403466

CONTI 403466/1

CONTI 403466V

1455067 VOLUMETRIC FLOW METER GICAR
connections \varnothing 1/4"FF - orifice 1.15 mm - NSF



CONTI LF-1455351



Suitable for:

CONTI



Suitable for:

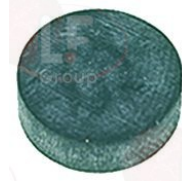
Gaskets and seals

3786543 ASBESTOS FREE FLAT GASKET \varnothing 18x12x1 mm
for Coffee machine (CONTI) CLUB - TWIN STAR2
XEOS2



CONTI 91500

1186235 BLIND GASKET \varnothing 14x4 mm
for Coffee machine (CONTI) CLASSICA PMS
HYDROMATIC - PISTOMATIC - VOLUTRONIC



CONTI 181100

1186177 CONICAL PTFE SEAL \varnothing 13.5x7.5x3.5 mm
for water/steam pipe
for Coffee machine (CONTI) CLUB - TWIN STAR2
XEOS2



CONTI 401320

1186811 COPPER FLAT GASKET \varnothing 10x6x1 mm



CONTI 406709

1186268 COPPER FLAT GASKET \varnothing 13x8x1 mm
for Coffee machine (CONTI) XEOS2



CONTI 403475

1186114 COPPER FLAT GASKET \varnothing 17x13.1x1 mm
for Coffee machine (CONTI) CLUB - XEOS2



CONTI 403459

1186619 COPPER FLAT GASKET \varnothing 18x14x1.5 mm



CONTI

1186167 COPPER FLAT GASKET \varnothing 21.2x18x1.5 mm



CONTI 181300

1186620 COPPER FLAT GASKET \varnothing 22x17x1.5 mm



CONTI

1186214 COPPER FLAT GASKET \varnothing 26x21.5x1.5 mm



CONTI 411795



Suitable for:

1186161 FLAT EPDM GASKET \varnothing 13x4x4 mm
for Coffee machine (CONTI) TWIN STAR2 - XEOS2



CONTI 407502

Suitable for:

1186119 PTFE FLAT GASKET \varnothing 17.3x12x2 mm
for Coffee machine (CONTI) CLUB - XEOS2



CONTI 403081

3786512 PTFE FLAT GASKET \varnothing 40x34x3 mm
for heating element
for Coffee machine (CONTI) CLUB - XEOS



CONTI 408714

1186155 PTFE FLAT GASKET \varnothing 76x68.4x3 mm
for Coffee machine (CONTI) XEOS2



CONTI 407709

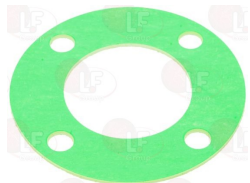
1186186 ROUND COPPER GASKET \varnothing 23x17x3 mm
for Coffee machine (CONTI) CLUB - XEOS2



CONTI

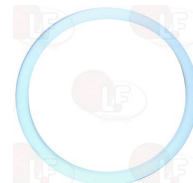
Gaskets for coffee group

1186382 COFFEE GROUP GASKET \varnothing 88x48x2 mm
free of asbestos
for Coffee machine (CONTI) CLASSICA PM
CLASSICA SA - CLUB - XEOS2



CONTI 18900

1786010 GROUP GASKET \varnothing 56.8x49.4x3.2 mm
PTFE
for Coffee machine (CONTI) CLUB - XEOS2



CONTI 407708

Handles for filterholder-portafilter

1241502 FILTER HOLDER HANDLE M10



CONTI

1241169 FILTER HOLDER HANDLE M12



CONTI



Suitable for:

CONTI



1241501 FILTER HOLDER HANDLE M12



CONTI 410001

1241269 FILTER HOLDER KNOB M10



CONTI

1141007 FILTER HOLDER KNOB M124 SOFT



CONTI

1141004 HANDLE FOR FILTER HOLDER M10 WALNUT WOOD



CONTI

1141003 HANDLE FOR FILTER HOLDER M12 WALNUT WOOD



CONTI

5054505 KNOB F.FILTERHOLDER M12 RED POLISHED



CONTI

Suitable for:

1241504 FILTER HOLDER HANDLE M12



CONTI 410001

1141006 FILTER HOLDER KNOB M10 SOFT



CONTI

5051751 FILTERHOLDER KNOB WHITE M10



CONTI

5083515 HANDLE FOR FILTER HOLDER M10 WALNUT WOOD



CONTI

5055983 HANDLE FOR FILTER HOLDER M12 WALNUT WOOD



CONTI

1241505 KNOB FILTER HOLDER M10



CONTI



Suitable for:

5054506 RED FILTER HOLDER KNOB M10 POLISHED



CONTI

Suitable for:

5051102 WHITE FILTER HOLDER KNOB M12



CONTI

Heating elements

1455014 HEATING ELEMENT 2500W 230V
immersed length 200 mm - 2 poles
connection 1"
for Coffee machine (CONTI) CLUB



CONTI 406919

CONTI 411004

CONTI 4110041

3786512 PTFE FLAT GASKET \varnothing 40x34x3 mm
for heating element
for Coffee machine (CONTI) CLUB - XEOS



CONTI 408714

1755391 HEATING ELEMENT 2800/3050W 230/240V
immersed length 175 mm - 6 poles
distance between the holes 67 mm
flange \varnothing 110/94 mm
for coffee machines with 1 group



CONTI

1186155 PTFE FLAT GASKET \varnothing 76x68.4x3 mm
for Coffee machine (CONTI) XEOS2



CONTI 407709

1755392 HEATING ELEMENT 2800W 220/380V
immersed length 230 mm - 6 poles
distance between the holes 67 mm
flange 110/94 mm
for coffee machines with 2 groups
for Coffee machine (CONTI) XEOS2



CONTI

1186155 PTFE FLAT GASKET \varnothing 76x68.4x3 mm
for Coffee machine (CONTI) XEOS2



CONTI 407709



Suitable for:

CONTI



1455013 HEATING ELEMENT 3400W 230V
immersed length 535 mm - 2 poles
connection \varnothing 1"
for Coffee machine (CONTI) CLUB



CONTI 411431

1455047 HEATING ELEMENT 3600W 230V
immersed length 330 mm - 2 poles
connection \varnothing 1"



CONTI 425030

1755393 HEATING ELEMENT 4000/4350W 230/240V
immersed length 430 mm - 6 poles
distance between the holes 67 mm
flange \varnothing 110/64 mm
for coffee machines with 3 groups
for Coffee machine (CONTI) XEOS2



CONTI 165900

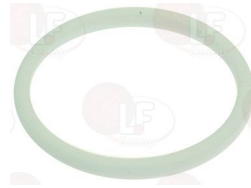
1755394 HEATING ELEMENT 6000W 220/380V
immersed length 430 mm - 6 poles
distance between the holes 67 mm
flange \varnothing 110/94 mm
for coffee machines with 4 groups



CONTI

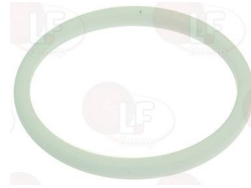
Suitable for:

3786512 PTFE FLAT GASKET \varnothing 40x34x3 mm
for heating element
for Coffee machine (CONTI) CLUB - XEOS



CONTI 408714

3786512 PTFE FLAT GASKET \varnothing 40x34x3 mm
for heating element
for Coffee machine (CONTI) CLUB - XEOS



CONTI 408714

1186155 PTFE FLAT GASKET \varnothing 76x68.4x3 mm
for Coffee machine (CONTI) XEOS2



CONTI 407709

1186155 PTFE FLAT GASKET \varnothing 76x68.4x3 mm
for Coffee machine (CONTI) XEOS2



CONTI 407709



Hydraulic piping

1449685 SILICONE HOSE \varnothing 6x10 SHORE 60 - 5 m
alimentary



CONTI 405621

Indicator lights

1221022 GREEN INDICATOR LIGHT \varnothing 8 mm
flush mounting with fastening plate
for Coffee machine (CONTI) CLUB - XEOS



CONTI 408322

1221023 RED INDICATOR LIGHT \varnothing 8 mm
flush mounting with fastening plate
for Coffee machine (CONTI) CLUB - TWIN STAR2
XEOS2



CONTI 408323

Inlet hoses

1449737 FLEX HOSE \varnothing 3/8" Fc x CFc 2000 mm
EPDM hose covered in stainless steel
hose external \varnothing 12 mm
max temperature 90°C
max pressure 10 bar



CONTI 4116221

1449710 FLEX HOSE \varnothing 3/8" Fp x Fc 300 mm
EPDM hose covered in stainless steel
hose external \varnothing 12 mm
max temperature 90°C
max pressure 10 bar



CONTI 410642

1449732 FLEX HOSE \varnothing 3/8" Fc x CFc 500 MM
EPDM hose covered in stainless steel
hose external \varnothing 12 mm
max temperature 90°C
max pressure 10 bar



CONTI 4116241



Suitable for:

CONTI



Suitable for:

Ironmongery (screws,nuts,washers)

1455034 CYLINDER HEAD SCREW M4x10
stainless steel - with hexagon socket
UNI 5931 - DIN 912 - ISO 4762



CONTI 401983

1184012 CYLINDER HEAD SCREW M5x10
stainless steel - with hexagon socket
UNI 9327 - DIN 7984



CONTI 071600

9528041 CYLINDER HEAD SCREW M6x20
stainless steel - with hexagon socket
UNI 5931 - DIN 912 - ISO 4762
ø head 10 mm - overall length 26 mm



CONTI 071100

1184804 CYLINDER HEAD SCREW M6x8
stainless steel - with hexagon socket
UNI 5931 - DIN 912 - ISO 4762



CONTI 406708

3528010 FLAT WASHER M6
ø internal/external 6.4/12 mm - thickness 1.6 mm
st./steel - UNI 6592 - DIN 125 A - ISO 7089



CONTI 375500

1528630 HEXAGON HEAD SCREW M5x10
stainless steel - UNI 5739 - DIN 933 - ISO 4017



CONTI 401010

1528030 MID HEXAGONAL NUT M6
stainless steel - UNI 5588 - DIN 934 - ISO 4032



CONTI 405550

Knobs

1241561 ELASTIC RING FOR KNOB



CONTI

1225407 WATER/STEAM TAP KNOB
for Coffee machine (CONTI) XEOS2



CONTI 410099

Suitable for:

Suitable for:

1241367 WATER/STEAM TAP KNOB
with spring housing
hole for D-shaped pin \varnothing 6x8 mm
for Coffee machine (CONTI) CLUB - SSK2



CONTI 408156

CONTI 4081561

Level balls

1323003 STAINLESS STEEL BALL \varnothing 8 mm
for Coffee machine (CONTI) CLASSICA - CLUB
TWIN STAR2 - XEOS2



CONTI 403473

1323416 STAINLESS STEEL BALL \varnothing 10 mm
for Coffee machine (CONTI) CLASSICA - HYDROMATIC
PISTOMATIC - VOLUTRONIC - XEOS



CONTI 219200

Level gauges

1186269 FLAT BRASS WASHER \varnothing 18x12x1 mm
for level glass



CONTI

1520580 LEVEL GLASS \varnothing 11x145 mm SILK-SCREEN PRIN



CONTI

1520576 LEVEL GLASS \varnothing 11x184 mm
for Coffee machine (CONTI) CLUB - SK2 - SSK2
TWIN STAR2 - XEOS2



CONTI 4500

1186287 WASHER \varnothing 18x12x3 mm
for level glass



CONTI

Level sensors

3341069 LEVEL PROBE \varnothing 1/4" M-75 mm
for Coffee machine (CONTI) CLUB - SK2 - SSK2



CONTI 408782



Suitable for:

CONTI



Suitable for:

Lip seals

1186166 LIP SEAL \varnothing 14x7x10.5 mm
for Coffee machine (CONTI) TWIN STAR2 - XEOS2



CONTI 407501

1186383 LIP SEAL \varnothing 61x47x6.3 mm
for Coffee machine (CONTI) CLASSICA PM
CLASSICA SA



CONTI 200510

Non-return and expansion valves

1523034 NON-RETURN VALVE \varnothing 1/8"M-1/8"M
for Coffee machine (CONTI) TWIN STAR2



CONTI 4030652

1523514 NON-RETURN VALVE \varnothing 1/4"F-1/4"M
for Coffee machine (CONTI) CLASSICA - CONTICLUB
SSK2 - XEOS



CONTI 409835

1523033 NON-RETURN VALVE \varnothing 1/4"M-1/4"M
for Coffee machine (CONTI) CLUB



CONTI 403470

1523519 NON-RETURN VALVE \varnothing 1/4"M-3/8"M
for Coffee machine (CONTI) CONTICLUB - SSK2
TWIN STAR2 - XEOS



CONTI 409125

O-Ring and ORM gaskets

1186854 O-RING EPDM R5



CONTI 087520

1186157 O-RING GASKET M 0120-20 VITON



CONTI 409631

1186438 O-RING GASKET 0132 EPDM



CONTI

1186381 O-RING M 0680-20 EPDM
for Coffee machine (CONTI) CLASSICA PM
CLASSICA SA



CONTI 173100

Suitable for:

3060608 O-RING O3050 EPDM
for Coffee machine (CONTI) CLUB - TWIN STAR2
XEOS2



CONTI 55300

Suitable for:

1786297 O-RING R10 EPDM



CONTI 055300

1186252 O-RING 0040-20 EPDM
for Coffee machine (CONTI) CLUB - XEOS2



CONTI 403457

1186805 O-RING 0115 EPDM



CONTI

3243086 O-RING 0117 EPDM



CONTI

1186414 O-RING 0119 EPDM



CONTI

1186163 O-RING 02010 EPDM



CONTI

1186611 O-RING 02025 RED SILICONE
for Coffee machine (CONTI) CLUB - TWIN STAR2
XEOS2



CONTI

1186612 O-RING 02025 VITON
for Coffee machine (CONTI) CLUB - TWIN STAR2
XEOS2



CONTI 407500

1186803 O-RING 02037 EPDM



CONTI 219100



Suitable for:

CONTI



1186352 O-RING 02050 EPDM



CONTI

Suitable for:

3243266 O-RING 02081 EPDM



CONTI

1186631 O-RING 02112 VITON



CONTI

1186236 O-RING 03043 VITON



CONTI

3186860 OR GASKET 03056 EPDM
EX OR 0118
for Coffee machine (CONTI) CLUB - TWIN STAR2
XEOS2



CONTI 61200

1786071 ORM 0060-10 EPDM



CONTI 410838

Paper seals

1190011 PAPER SEAL \varnothing 72x58x0.8 mm



CONTI

1190001 PAPER SHIM \varnothing 73x59x0.8 mm



CONTI

1190002 RUBBER SHIM \varnothing 73x59x1 mm EPDM



CONTI



Pressure gauges

1245301 BOILER PRESSURE GAUGE \varnothing 62 mm 0÷3 bar
single scale 0÷3 bar - connection \varnothing 1/4" M
for Coffee machine (CONTI) CLASSICA - CLUB



CONTI 404325

1242005 BOILER-PUMP PRESSURE GAUGE \varnothing 63 mm
double scale 0÷2.5/0÷16 bar - connections \varnothing 1/8" M
rim \varnothing 70 mm - body \varnothing 63 mm
for Coffee machine (CONTI) XEOS2



CONTI 407710

1242007 BOILER-PUMP PRESSURE GAUGE \varnothing 63 mm
double scale 0÷4/0÷16 bar - connections \varnothing 1/8" M
rim \varnothing 70 mm - body \varnothing 63 mm
for Coffee machine (CONTI) TWIN STAR2



CONTI 410888

1245532 BOILER-PUMP PRESSURE GAUGE \varnothing 63 mm
double scale 0÷2.5/0÷15 bar - connections \varnothing 1/8" M
rim \varnothing 70 mm - body \varnothing 63 mm



CONTI

1245300 PUMP PRESSURE GAUGE \varnothing 62 mm 0÷16 bar
single scale 0÷16 bar - connections \varnothing 1/4" M
for Coffee machine (CONTI) CLASSICA - CLUB



CONTI

Pressure switches

1320533 MEMBRANE KIT FOR PRESSURE SWITCH
model P302-6 \varnothing 55 mm



CONTI

1320541 PRESSURE SWITCH PARKER
CEI-UL approved
connection \varnothing 1/4"
scale 0.5÷1.4 bar
differential 0.18÷0.03 bar
maximum pressure 2.1 bar
maximum temperature 140°C



CONTI



Suitable for:

CONTI



Suitable for:

1320531 PRESSURE SWITCH P302/6 3-POLES 30A
 CE-SEV-ASE-UL approved
 ISO 228 G connection 1/4" M for pipe \varnothing 4x6 mm
 adjustable scale 0.5 ÷ 1.4 bar
 fixed differential 0.15 (\pm 0.06) bar
 fluid temperature max : 140°C
 max contact load : 220V 7KW (30A)
 400V 12KW (30A)



CONTI

Relays

1351012 STATIC RELAY 12V
 for Coffee machine (CONTI) TWIN STAR - TWIN STAR2
 XEOS DISPLAY



CONTI 466092

Rubberpieces for steam-water taps

1186339 BURN PREVENTING PIPE HANDGRIP \varnothing 8 mm
 for Coffee machine (CONTI) CLUB - TWIN STAR2
 XEOS2



CONTI

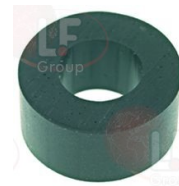
Seals for level glasses

1186270 FLAT EPDM GASKET \varnothing 18x11x4 mm
 for level glass



CONTI

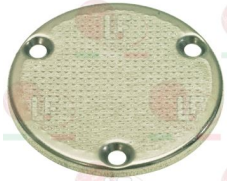
1186221 FLAT EPDM GASKET \varnothing 19x11.5x10 mm
 for level glass
 for Coffee machine (CONTI) CLUB - TWIN STAR2
 XEOS2



CONTI 4700

Shower screens for brew group

1081102 SHOWER ø 57 mm



CONTI 072200

1081101 SHOWER SCREEN ø 58.5 mm
for Coffee machine (CONTI) CLUB - XEOS2
for Coffee machine (CONTI) CC100 - X-ONE



CONTI 355900

Showerholder diffusers

1086005 SHOWER HOLDER DIFFUSER
external ø 56.5 mm - height 9 mm - hole M5
for Coffee machine (CONTI) CLUB - XEOS2



CONTI 404740

1086508 SHOWER HOLDER DIFFUSER
external ø 57 mm - height 13 mm - hole ø 43 mm
for Coffee machine (CONTI) CLASSICA PM



CONTI 172030

Solenoid valves

1120332 COIL LUCIFER/PARKER 220/240V 9W 50Hz
width 32 mm - height 38 mm
length 43 mm
for Coffee machine (CONTI) CLUB - TWIN STAR2
XEOS2



CONTI

1120820 COIL ODE BDA08223DS 220/230V 50/60Hz
14.5 VA
width 30 mm - height 39 mm - length 42 mm
for Coffee machine (CONTI) CLUB - TWIN STAR2
XEOS2



CONTI

1120361 COIL PARKER YB09 220/230V 9W 50/60Hz
width 34 mm - height 32 mm
length 42 mm



CONTI

1120336 COIL PARKER ZB09 9W 110/120V 50/60Hz
width 34 mm - height 33 mm
length 43 mm



CONTI



Suitable for:

CONTI



3120032 COIL PARKER ZB09 9W 220/240V 50/60Hz
 width 34 mm - height 33 mm
 length 43 mm
 for Coffee machine (CONTI) CLUB - TWIN STAR2
 XEOS2



CONTI

Suitable for:

3120033 COIL PARKER ZB09 9W 24V 50/60Hz
 width 34 mm - height 33 mm
 length 43.5 mm



CONTI

3120034 FEMALE LARGE CONNECTOR
 for coils



CONTI

1120279 SOLENOID VALVE ODE 2 WAYS 110/120V 15VA
 corpo in TECNOPOLIMERO PPS
 tenuta in RUBINO - orificio \varnothing 3,0 mm
 con bobina BDV08110AY 110/120V 50/60Hz 15VA
 temperatura -40°C +180°C
 certificata NSF



CONTI 470599

1120805 SOLENOID VALVE ODE 3 WAYS 230V 8W
 RUBY seal - orifice \varnothing 1.5 mm
 TAPERED fitting
 with coil BDA08223DS 220/230V 50/60Hz 8W
 fluid temperature -40°C +180°C



CONTI 4072391

1120820 COIL ODE BDA08223DS 220/230V 50/60Hz
 14.5 VA
 width 30 mm - height 39 mm - length 42 mm
 for Coffee machine (CONTI) CLUB - TWIN STAR2
 XEOS2



CONTI

1120157 2-WAY SOLENOID VALVE ODE \varnothing 1/8" 220V 5W
 VITON seal - orifice \varnothing 2.3 mm
 with coil LBV05220BU 220V 60Hz 5W
 temperature -10°C+140°C
 for Coffee machine (CONTI) TWIN STAR2



CONTI 411476



Suitable for:

1120153 2-WAY SOLENOID VALVE PARKER 110V 50/60Hz
 VE146YV - fittings \varnothing 1/4"FF - max 10 bar
 VITON seal - orifice \varnothing 3 mm
 with coil ZB09 9W 110/120V 50/60Hz
 fluid temperature -10°C+140°C



CONTI

Suitable for:

1120336 COIL PARKER ZB09 9W 110/120V 50/60Hz
 width 34 mm - height 33 mm
 length 43 mm



CONTI

1120354 2-WAY SOLENOID VALVE PARKER 230V 50/60Hz
 VE146NV - fittings \varnothing 1/4"FF - max 10 bar
 VITON sealing - orifice \varnothing 2.5 mm
 with coil ZB09 9W 220/230V 50/60Hz
 fluid temperature -10°C +140°C



CONTI

3120032 COIL PARKER ZB09 9W 220/240V 50/60Hz
 width 34 mm - height 33 mm
 length 43 mm
 for Coffee machine (CONTI) CLUB - TWIN STAR2
 XEOS2



CONTI

1120334 3-WAY MECHANICAL COMPONENT LUCIFER
 E131F4304G - drain \varnothing 1/8" conical - max 10 bar
 RUBY seal - orifice \varnothing 1.5 mm
 fluid temperature -30°C+140°C
 for Coffee machine (CONTI) CLUB - TWIN STAR2
 XEOS2



CONTI

1120339 3-WAY MECHANICAL COMPONENT PARKER
 VE128IR - drain \varnothing 1/8" conical - max 10 bar
 RUBY seal - orifice \varnothing 1.3 mm
 fluid temperature -30°C+140°C
 for Coffee machine (CONTI) CLUB - TWIN STAR2
 XEOS2



CONTI

1120102 3-WAY SOLENOID VALVE LUCIFER 115V 60Hz
 E131F4304 - drain \varnothing 1/8" conical - max 10 bar
 RUBY seal - orifice \varnothing 1.5 mm
 with coil 483510S5 9W 110/115/120V 50/60Hz
 fluid temperature -40°C+140°C



CONTI 401816

1120334 3-WAY MECHANICAL COMPONENT LUCIFER
 E131F4304G - drain \varnothing 1/8" conical - max 10 bar
 RUBY seal - orifice \varnothing 1.5 mm
 fluid temperature -30°C+140°C
 for Coffee machine (CONTI) CLUB - TWIN STAR2
 XEOS2



CONTI



Suitable for:

CONTI



1120330 3-WAY SOLENOID VALVE LUCIFER 240V 50Hz
 E131F4304 - drain \varnothing 1/8" conical - max 10 bar
 RUBY seal - orifice \varnothing 2.5 mm
 with coil 483510S6 9W 220/240V 50/60Hz
 fluid temperature $-40^{\circ}\text{C}+140^{\circ}\text{C}$
 for Coffee machine (CONTI) CLUB - TWIN STAR2
 XEOS2



CONTI 407239

1120334 3-WAY MECHANICAL COMPONENT LUCIFER
 E131F4304G - drain \varnothing 1/8" conical - max 10 bar
 RUBY seal - orifice \varnothing 1.5 mm
 fluid temperature $-30^{\circ}\text{C}+140^{\circ}\text{C}$
 for Coffee machine (CONTI) CLUB - TWIN STAR2
 XEOS2



CONTI

1120101 3-WAY SOLENOID VALVE PARKER 115V 50/60Hz
 VE128IR - drain \varnothing 1/8" conical - max 10 bar
 RUBY seal - orifice \varnothing 1.3 mm
 with coil ZB09 9W 110/120V 50/60Hz
 fluid temperature $-40^{\circ}\text{C}+140^{\circ}\text{C}$



CONTI 401816

1120339 3-WAY MECHANICAL COMPONENT PARKER
 VE128IR - drain \varnothing 1/8" conical - max 10 bar
 RUBY seal - orifice \varnothing 1.3 mm
 fluid temperature $-30^{\circ}\text{C}+140^{\circ}\text{C}$
 for Coffee machine (CONTI) CLUB - TWIN STAR2
 XEOS2



CONTI

Suitable for:

1120332 COIL LUCIFER/PARKER 220/240V 9W 50Hz
 width 32 mm - height 38 mm
 length 43 mm
 for Coffee machine (CONTI) CLUB - TWIN STAR2
 XEOS2



CONTI

1120336 COIL PARKER ZB09 9W 110/120V 50/60Hz
 width 34 mm - height 33 mm
 length 43 mm



CONTI



Suitable for:

1120335 3-WAY SOLENOID VALVE PARKER 230V 50/60Hz
 VE128IR - drain \varnothing 1/8" conical - max 10 bar
 RUBY seal - orifice \varnothing 1.3 mm
 with coil ZB09 9W 220/230V 50/60Hz
 fluid temperature -30°C+140°C
 for Coffee machine (CONTI) CLUB - TWIN STAR2
 XEOS2



CONTI 407239

1120339 3-WAY MECHANICAL COMPONENT PARKER
 VE128IR - drain \varnothing 1/8" conical - max 10 bar
 RUBY seal - orifice \varnothing 1.3 mm
 fluid temperature -30°C+140°C
 for Coffee machine (CONTI) CLUB - TWIN STAR2
 XEOS2



CONTI

Suitable for:

3120032 COIL PARKER ZB09 9W 220/240V 50/60Hz
 width 34 mm - height 33 mm
 length 43 mm
 for Coffee machine (CONTI) CLUB - TWIN STAR2
 XEOS2



CONTI

Spouts for coffee

1022522 ADJUSTABLE LONG DOUBLE SPOUT \varnothing 3/8"



CONTI

1022523 ADJUSTABLE SHORT DOUBLE SPOUT \varnothing 3/8"



CONTI

1022504 CLOSED SINGLE SPOUT \varnothing 3/8"



CONTI

1022502 DOUBLE SPOUT \varnothing 3/8"
 for Coffee machine (CONTI)



CONTI

1022531 DOUBLE SPOUT \varnothing 3/8"
 for Coffee machine (CONTI)



CONTI 407168

1022532 DOUBLE SPOUT M18x1.5 mm
 for Coffee machine (CONTI)



CONTI



Suitable for:

CONTI



1022521 LONG DOUBLE SPOUT \varnothing 3/8"



CONTI

Suitable for:

1022501 SINGLE SPOUT \varnothing 3/8"
for Coffee machine (CONTI)
since 1/11/03 TWIN STAR2



CONTI 405145

1022550 SINGLE SPOUT \varnothing 3/8"



CONTI

1022506 SPOUT DOUBLE \varnothing 3/8"
for Coffee machine (CONTI) TWIN STAR2



CONTI 4071681

1022503 STRAIGHT SINGLE SPOUT \varnothing 3/8"
for Coffee machine (CONTI) CLUB - TWIN STAR2
XEOS2



CONTI

1022551 TRIPLE SPOUT \varnothing 3/8"



CONTI

5031337 1-CUP STRAIGHT SHORT SPOUT \varnothing 3/8"



CONTI

Steam taps and spares for coffee mach.

1348314 COMPLETE TAP "CLUB"
for Coffee machine (CONTI) CLUB



CONTI 4095903

1348305 COMPLETE TAP XEOS EV
for Coffee machine (CONTI) TWIN STAR2 - XEOS2



CONTI 4101341



Steam-water pipes coffee machines

1449330 COMPLETE WATER PIPE
for Coffee machine (CONTI) TWIN STAR2 - XEOS2



CONTI 410275

1449328 STEAM PIPE COMPLETE
for Coffee machine (CONTI) CLUB - TWIN STAR2 XEOS2



CONTI 410229

1449329 STEAM PIPE COMPLETE
for Coffee machine (CONTI) XEOS



CONTI 410310

Switches

1319902 BIPOLAR SWITCH BLACK 16A 250V
with indicator led lamp
mounting hole 22x30 mm
for Coffee machine (CONTI)
since 1/03/04 CLASSICA



CONTI 411429

3319154 BIPOLAR SWITCH BLACK 16A 250V
16(4)A 250V - max. temperature 120°C
with push-button cap - silk screen printing 0 - I
mounting hole 22x30 mm
for Coffee machine (CONTI) CLUB - XEOS



CONTI 408501

1319332 PUSH-BUTTON PANEL 1 BUTTON
for Coffee machine (CONTI) CLUB - XEOS2



CONTI 410304

Tampers for coffee

1385002 NYLON COFFEE TAMPER \varnothing 50/57 mm



CONTI



Suitable for:

CONTI



Suitable for:

Thermostats

- 1444018 SAFETY THERMOSTAT FOR BOILER**
coupling 3/8" bulb \varnothing 3 length 340 mm
for Coffee machine (CONTI) CLUB - TWIN STAR2
XEOS2



CONTI 402500

Tools

- 1505002 EXTRACTOR FOR FILTER S.STEEL WITH HOLE**



CONTI

- 3394906 TELESCOPIC KIT \varnothing 30x165 mm**
extension overall length 485 mm



CONTI

Water filling taps

- 1348310 WATER INLET TAP**
for Coffee machine (CONTI) TWIN STAR2 - XEOS2



CONTI 405586

CONTI 470160V

Water softeners and accessories

- 3010001 MANUAL WATER SOFTENER 8 L \varnothing 3/8"**
for water treatment for TECHNICAL purposes
STAINLESS STEEL cylinder capacity 8 L
connection 3/8"
dimensions: height 400 mm - \varnothing 185 mm
resin content 5.8 L
regeneration salt(NaCl-table salt)1 Kg



CONTI

- 3010161 MANUAL WATER SOFTENER 8 L \varnothing 3/8"**
for water treatment for TECHNICAL purposes
plasma welding
STAINLESS STEEL cylinder capacity 8 L
connection 3/8"
dimensions: height 400 mm - \varnothing 185 mm
resin content 5.8 L
regeneration salt(NaCl-table salt)1 Kg
inlet water maximum temperature 60°C



CONTI



CONTI



Suitable for:

3010112 RESIN 5 L
5 litre bag



CONTI

Suitable for:

3010299 SALE PER ADDOLCITORE IN PASTIGLIE 10 Kg
PER IMPIANTI DI ADDOLCIMENTO ACQUA



CONTI

3010300 SALT FOR WATER SOFTNER IN TABLETS 25 Kg
FOR WATER SOFTENING SYSTEMS



CONTI

The data herewith contained may change without notice and LF SpA cannot be held responsible for possible errors stated or resulting by the use of this document. All rights reserved. No part of this publication may be reproduced without written permission by LF SpA.



Distributing Components, Spare Parts & Accessories in original quality worldwide

-
- LF SpA HEADQUARTERS**
via Voltri, 80 - 47522 Cesena (FC) ITALY
Tel. +39 0547 34 11 11 - Fax +39 0547 34 11 10
www.lfircambi724.it - info@lfircambi.it
Export Dept. Tel. +39 0547 34 11 50 - Fax +39 0547 34 11 55
www.lfspareparts724.com - export@lfspareparts.com
- LF SpA HOUSEHOLD COMPONENTS DIVISION**
Via Padriciano, 99 - AREA Science Park - 34149 Trieste (TS) ITALY
Tel. +39 0547 34 12 42 - Fax +39 0547 34 12 48
www.lfspareparts724.com - info@lfspareparts.com
- EPGC Sas FRANCE**
13, Rue des Forts - 59960 Neuville en Ferrain
Tel. +33 (0)3 20 25 06 21 - Fax +33 (0)3 20 25 34 12
www.epgc.com - epgc@epgc.com
- LF GmbH GERMANY**
Junkersstrasse, 3 - D-82178 Puchheim - München
Tel. +49 89 89 45 78 66 - Fax +49 89 89 45 78 88
www.lfersatzteile724.de - info@lfersatzteile.de
- LF China REPUBLIC OF CHINA**
Room 403, No.2, Huadu Mansion, Lane 422, Huanghua Rd.
Minhang Dist. - 201103 Shanghai
Tel. +86 (0)21 33 53 66 31 - Fax +86 (0)21 33 53 66 32
www.lfspareparts724.com - china@lfspareparts.com
- OOO LF RUSSIAN FEDERATION**
Ul. Anatoliya Zhivova, 8 - office 1 - 123100 Moscow
Tel./Fax +7 495 725 26 53
www.lfspareparts724.ru - info@lfspareparts.ru
- LF Repuestos Horeca S.L.U. SPAIN**
Poligono Industrial Carpetania - C/Miguel Faraday, 8 - 28906 Getafe
Tel. +34 91 477 91 00 - Fax +34 91 477 90 81
www.lfrepuestos-horeca724.es - info@lfrepuestos.es
- LF Scandinavia Aps - LF Spareparts S.p.A. DENMARK**
Nupark, 51 - 7500 Holstebro
Tel. +45 70 70 77 33
www.lfspareparts724.dk - denmark@lfspareparts.dk
- LF SpA Cesena (IT) Swiss Branch Steinhausen SWITZERLAND**
Sennweidstrasse, 45 - CH-6312 Steinhausen
Tel. +41 (0)41 760 15 80/1 - Fax +41 (0)41 760 15 85
www.lfersatzteile724.ch - info@lfersatzteile.ch
- LF Spare Parts Ltd. UNITED KINGDOM**
A10a Lakeside Business Park, Broadway Lane
South Cerney, Gloucestershire GL7 5XL
Tel. +44 (0)1285 86 16 25 - Fax +44 (0)1285 86 39 49
www.lfspareparts724.co.uk - info@lfspareparts.co.uk
- LF Central Est Europe S.r.o. CZECH REPUBLIC**
Antala Staska 1859/34
14000 Praha 4 - KRC
Tel. +420 730 156 910
www.lfspareparts724.cz - info@lfspareparts.cz
- LF SPARE PARTS INC. USA**
Legal address:
155 Office Plaza Dr - Suite A - Tallahassee, FL 32301
Business/Mailing address:
1100 South Tower, 225 Peachtree St., N.E. - Atlanta, GA 30303, USA
Tel. +1-404-525-2600 - Fax +1-404-586-3528
www.lfspareparts724.us - info@lfspareparts.us
Tel. West Coast and Midwest: 206-349-1525 Sauro
Tel. East Coast and the Caribbean: 786-817-1764 Luis
-
- AUSTRALIA AND NEW ZEALAND**
www.lfspareparts724.com
andrea.calvio@lfspareparts.com
- AUSTRIA**
www.lfersatzteile724.at
info@lfersatzteile.at
- BALKAN COUNTRIES**
www.lfspareparts724.com
matija.ramov@lfspareparts.com
- BALTIC COUNTRIES**
www.lfspareparts724.com
inara.silina@lfspareparts.com
- LATIN AMERICA AND THE CARRIBEANS**
www.lfrepuestos-horeca724.es
export@lfrepuestos.es
- POLAND**
www.lfspareparts724.pl
info@lfspareparts.pl
- SOUTH KOREA**
www.lfspareparts724.com
fabio.doni@lfspareparts.com
- TURKEY**
www.lfyedekparca724.com
export@lfspareparts.com